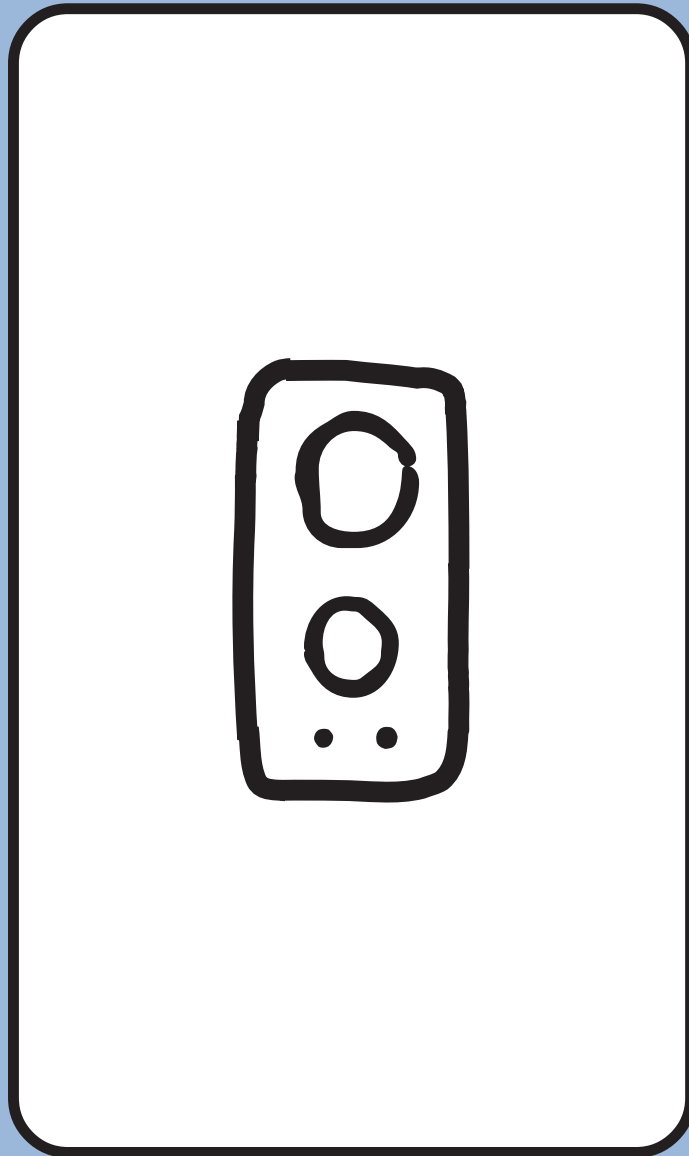


Built-in Hob - Encimera - Placa de encastrar

INSTRUCTION BOOKLET MANUAL DE INSTRUCCIONES INSTRUÇÕES DE UTILIZAÇÃO



Mod. EHE 320

Important Safety Information

These warnings are provided in the interest of safety. You must read them carefully before installing or using the appliance.

Installation

- It is mandatory that all operations required for the installation are carried out by a qualified or competent person, in accordance with existing rules and regulations.
- Disconnect the appliance from the electrical supply, before carrying out any cleaning or maintenance work.
- Once you removed all packaging from the appliance, ensure that it is not damaged and the electric cable is in perfect conditions. Otherwise, contact your dealer before proceeding with the installation.
- **The manufacturer disclaims any responsibility should all the safety measures not be carried out.**

Child Safety

- This appliance has been designed to be operated by adults and children under supervision. Young children must not be allowed to tamper with the controls or play near or with the oven.
- Accessible parts of this appliance may become hot when it is in use. Children should be kept away until it has cooled.


During Operation

- It is most important that this instruction book should be retained with the appliance for future reference. Should the appliance be sold or transferred, always ensure that the book is left with the appliance in order that the new owner can get to know the functions of the appliance and the relevant warnings.
- This appliance has been designed for non professional purpose in private houses only. It is meant to cook edible foodstuff only and **MUST NOT** be used for any other purposes.
- It is **dangerous** to alter the specification in any way.
- For hygiene and safety reasons, this appliance should be kept clean at all times. A build-up of fats or other foodstuff could result in a fire.
- Ensure that all control knobs are in the OFF position when not in use.
- Should you connect any electrical tool to a plug near this cooking appliance, ensure that electric cables are not in contact with it and keep them far enough from the heated parts of this appliance.
- If the appliance is out of order, disconnect it from the electric supply.

Service

- Under no circumstances should you attempt to repair the appliance yourself. Repairs carried out by unexperienced persons may cause injury or serious malfunctioning. Refer to your local Service Centre. Always insist on genuine spare parts.

Environmental Information

- After installation, please dispose of the packaging with due regard to safety and the environment.
- When disposing of an old appliance, make it unusable, by cutting off the cable.
- The symbol  on the product or on its packaging indicates that this product may not be treated as household waste. Instead it shall be handed over to the applicable collection point for the recycling of electrical and electronic equipment. By ensuring this product is disposed of correctly, you will help prevent potential negative consequences for the environment and human health, which could otherwise be caused by inappropriate waste handling of this product. For more detailed information about recycling of this product, please contact your local city office, your household waste disposal service or the shop where you purchased the product.

Guide to Use the instructions

The following symbols will be found in the text to guide you throughout the Instructions:



Safety Instructions



Step by step instructions for an operation



Hints and Tips



Environmental information

These instructions are only for the countries stated by the symbol printed on the front cover of this instruction book.

Contents

For the User

Important Safety Information	2
Description of the appliance	3
Operation	4
Hints and tips	4
Cleaning and maintenance	5

For the Installer

Instruction for the Installer	6
Possibilities for insertion	7
Electrical connection	8

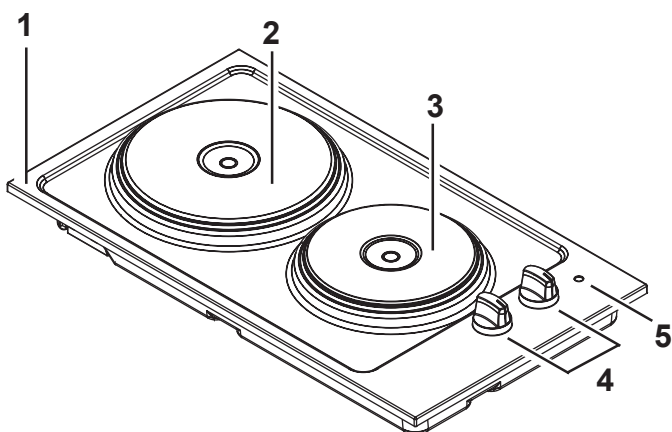
CE This appliance complies with the following E.E.C. Directives:

- **73/23 - 90/683** (Low Voltage Directive);
- **89/336** (Electromagnetical Compatibility Directive);
- **93/68** (General Directives) and subsequent modifications.

MANUFACTURER:

ELECTROLUX HOME PRODUCTS ITALY S.p.A.
Viale Bologna, 298 I-47100 FORLÌ (Italy)

Description of the appliance



- 1) Hob top
- 2) Normal hot plate - 180 mm Ø
- 3) Normal hot plate - 145 mm Ø
- 4) Control knobs
- 5) Pilot light

Before the first use

Before using the hob for the first time, switch the plates on for about 10 minutes at the maximum position.

It is important to note that the plate may smoke a little and produce a slightly unpleasant odour when used for the first time. This is quite normal and will disappear after a few minutes.

Operation

Electric Hotplates

To switch on a hotplate, turn the relevant control knob anticlockwise to the required heat setting.

The control knob is numbered 1 - 6

0 - OFF

1 - Minimum

6 - Maximum.

We recommend the plates are switched to maximum (6) for a short while to boost the plate, and then adjusted to the required setting.



Take care when frying food in hot oil or fat, as the overheated splashes could easily ignite.

Pilot Light

The Pilot Light will come on each time a cooking zone is switched on.

You can switch off the plate a short while before you finish cooking, and the final stage will be completed on the accumulated heat. Similarly, stews etc. cooked in well covered saucepans cook at lower temperature which is more economical.

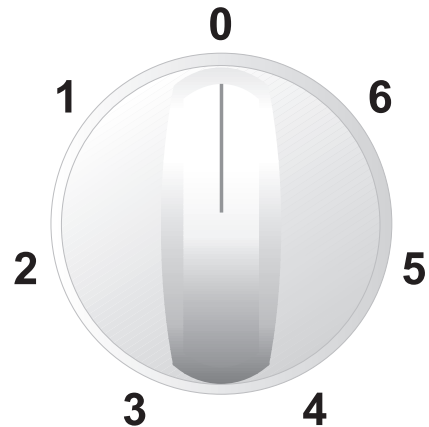


Ensure pans are large enough to avoid liquids being split onto the plates.

Never leave the plates on without a pan on them or with an empty pan on them.

Suggestions for the correct setting of the plates are given in the following table.

OFF	0	
Very Gentle	1	To keep food warm To melt butter and chocolate
Gentle	2	To prepare cream-sauces, stews and milk puddings or to fry eggs
Slow	3	Dried vegetables, frozen food, fruit, boiling water or milk
Medium	4	Boiled potatoes, fresh vegetables, pâtés, soups, broths, pancakes or fish
High	5	Larger stews, meat roll, fish, omelettes, steaks
Fast	6	Steaks, escalopes and frying.

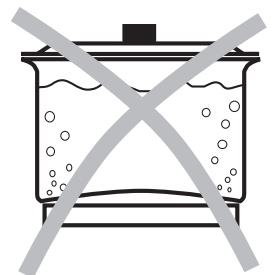
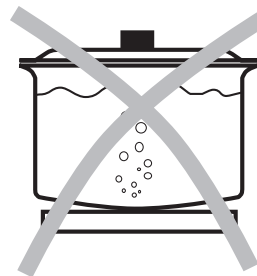
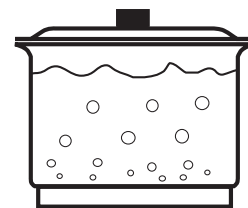


Hints and Tips

Saucepans for use on solid plates should have several characteristics:

- They should be fairly heavy duty
- They should fit the heat area exactly, or be slightly larger for efficient use, NEVER smaller.
- They should have a flat base to ensure good contact with the plate.
This is particularly important when using pans for high temperature frying or pressure cooking.

As soon as liquid starts boiling, turn down the plate control knob so that it will barely keep the liquid simmering.



Maintenance and Cleaning



Before any maintenance or cleaning can be carried out, you must **DISCONNECT** the hob from the electricity supply.

Never use steam or a steam cleaning machine to clean the appliance.

The hob is best cleaned whilst it is still warm, as spillage can be removed more easily than if it is left to cool.

The Hob Top

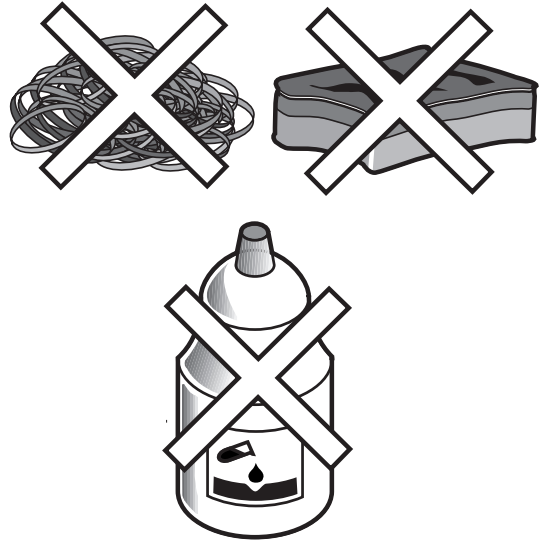
Regularly wipe over the hob top using a soft cloth well wrung out in warm water to which a little washing up liquid has been added. Avoid the use of the following:

- household detergent and bleaches;
- impregnated pads unsuitable for non-stick saucepans;
- steel wool pads;
- bath/sink stain removers.

Should the hob top become heavily soiled, the following products are recommended:

- For stainless steel hobs use a proprietary stainless steel cleaner.
- For other hobs use warm water and soft detergent.

The control knobs may be removed by carefully pulling them upward for easier cleaning.



The Hotplates

Spills onto the actual plate should be removed using warm water and a soft brush, nylon or plastic scourer. To keep the plates looking as new, hotplate conditioner can be purchased from most hardware stores.

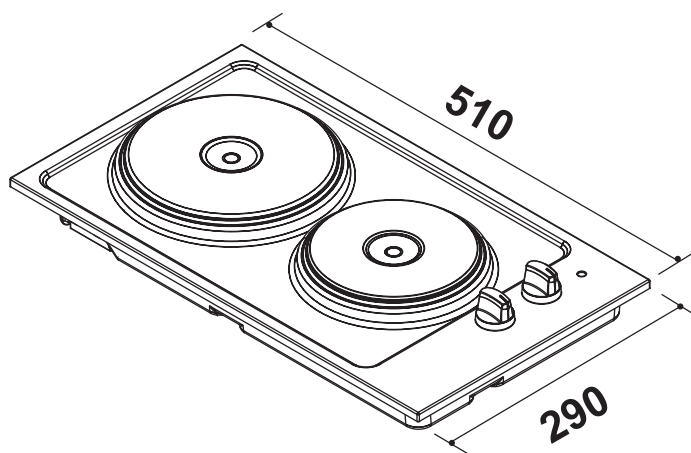
Alternatively, wipe the plates with a drop of olive oil on a kitchen towel to avoid rust. It is important to note that the plate will smoke a little and produce a slightly unpleasant odour when next used.

Stainless steel parts: the stainless steel spill rings may become straw coloured with use. Use a proprietary stainless steel cleaner to remove this straw discolouration. This also applies to the area around the hotplates on stainless steel hobs.



Failure to clean and condition hotplates may lead to rust and corrosion forming on the surface.

Instruction for the Installer



Technical Data

Rear hotplate	180 mm Ø	1,5 kW
Front hotplate	145 mm Ø	1,0 kW

Total energy	2,5 kW
Voltage	230 V - 50 Hz

Hob recess dimensions

Length	490 mm.
Width	270 mm.

Insertion and assembly

Dimensions for building in a kitchen unit are given in Fig. 2.

The side walls of the unit must not exceed the height of the hob. Avoid installing the appliance in the proximity of inflammable materials (e.g. curtains, tea towels, etc.).

Before fitting the hob into the cut out, a sealing gasket supplied with the hob must be fitted to the edge of the cut out. It is essential that no gaps are left in this seal in order to prevent spillage near the hob seeping into the cabinet below.

- 1) Place the sealing gasket all around the edge of the cut out.
- 2) Place the hob into the cut out and secure it by means of the relevant fixing clamps and screws, as shown in Fig.3.
- 3) Remove the excess seal

The edge of the hob forms a double seal which prevents the ingress of liquids.

i If several 30cm hob are to be installed side by side into the same cut out, an assembly kit including a support side bracket and supplementary sealings is available at our After Sales Centres. The relevant installation instructions are supplied within the kit package.

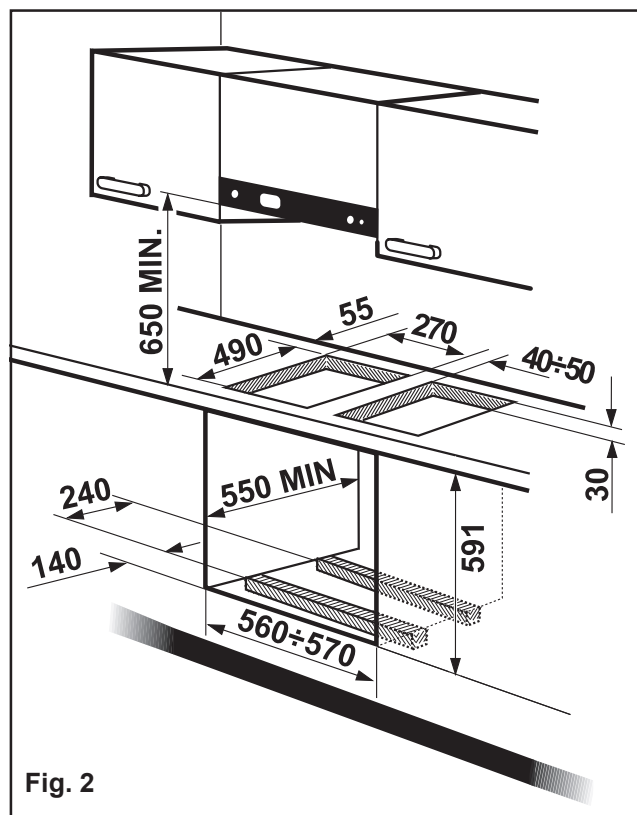


Fig. 2

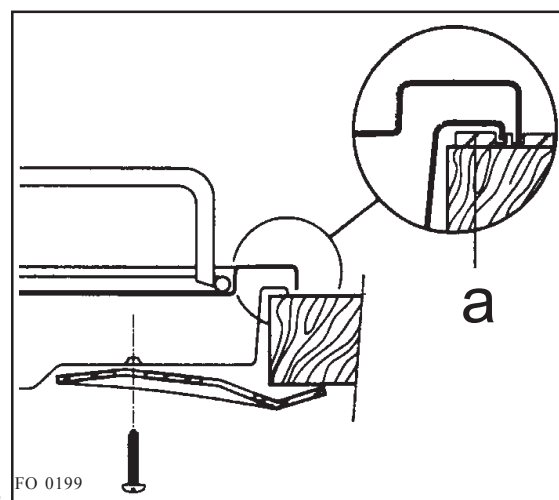


Fig. 3 FO 0199

a) Seal

Possibilities for insertion

Building over a kitchen unit with door

Proper arrangements must be taken in designing the furniture unit, in order to avoid any contact with the bottom of the hob which can be hot when in operation. The recommended solution is shown in Fig. 4.

The panel fitted under the hob ("a") should be easily removable to allow easy access if technical assistance is needed. The space behind the kitchen unit ("b") can be used for connections.

Kitchen unit with oven

The hob recess dimensions must comply the indication given in Fig. 2 and the kitchen unit must be provided with proper openings to allow a continuous supply of air. Suggestions to ensure a proper ventilation are shown in Figs. 5 and 6.

The electrical connection for the hob must be separate from the electrical connection for the oven, to ensure safety and to allow an easy removal of the oven from the unit, if necessary.

Fig. 4

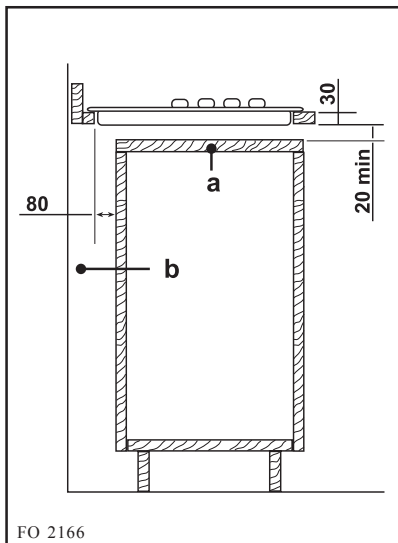


Fig. 5

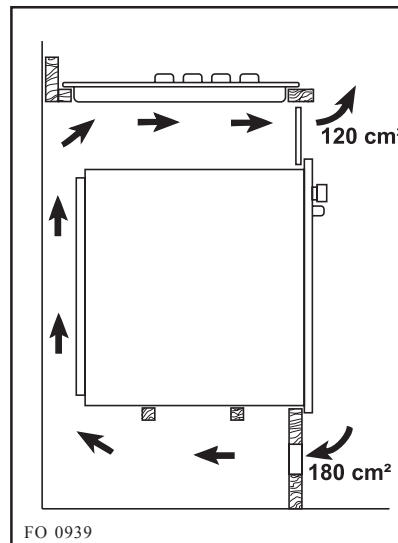
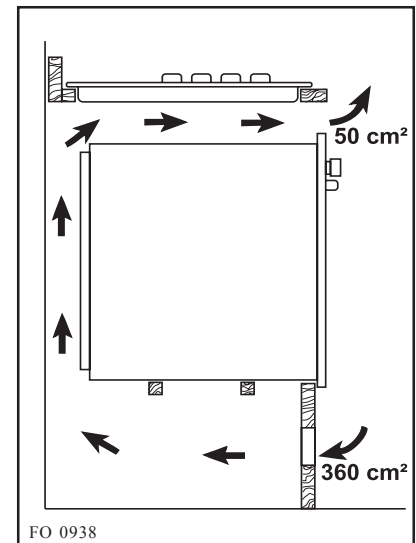


Fig. 6



- a) Removable panel
- b) Space for connections

Electrical connection

The appliance is designed to be connected to 230 V monophase electricity supply.

The connection must be carried out in compliance with the laws and regulations in force.

Before the appliance is connected:

- 1) check that the main fuse and the domestic installation can support the load (see the rating label);
- 2) check that the power supply is properly earthed in compliance with the current rules;
- 3) check the socket or the double pole switch used for the electrical connection can be easily reached with the appliance built in the furniture unit.

The appliance is supplied with a connection cable. This has to be provided with a proper plug, able to support the load marked on the identification plate. The yellow/green earth wire must be approximately 2 cm. longer than the phase wires. The plug has to be fitted in a proper socket.

If connecting the appliance directly to the electric system, it is necessary that you install a double pole switch between the appliance and the electricity supply, with a minimum gap of 3 mm. between the switch contacts and of a type suitable for the required load in compliance with the current rules.

The connection cable has to be placed in order that, in each part, it cannot reach a 90 °C temperature.

The brown coloured phase cable (fitted in the terminal block contact marked with "L") must always be connected to the live phase.

Replacement of the connection cable


If the connection cable must be replaced, only a type H05V2V2-F T90 cable must be used. The cable section must be suitable to the voltage and the working temperature.

The yellow/green earth wire must be approximately 2 cm. longer than the phase wires (Fig. 7).

To open the terminal block and reach the terminals, proceed as follows:

1. insert the point of a screwdriver into the visible protruding part of the terminal block;
2. exert a light pressure and lift (Fig. 7)

The hob is supplied with a three pole terminal block designed for a 230 V connection (Fig. 8).

The earth wire must always be connected to the terminal marked with the symbol  (Fig.9).

Upon completion, secure the connection cable with the cable clamp.

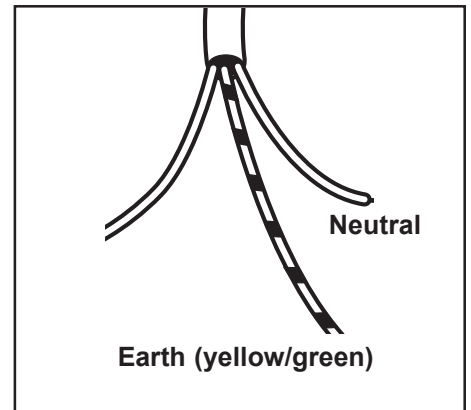


Fig. 7

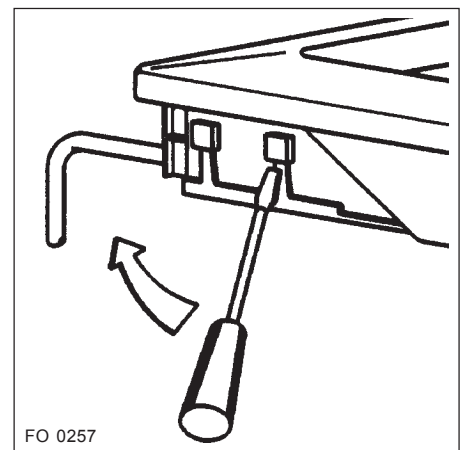


Fig. 8

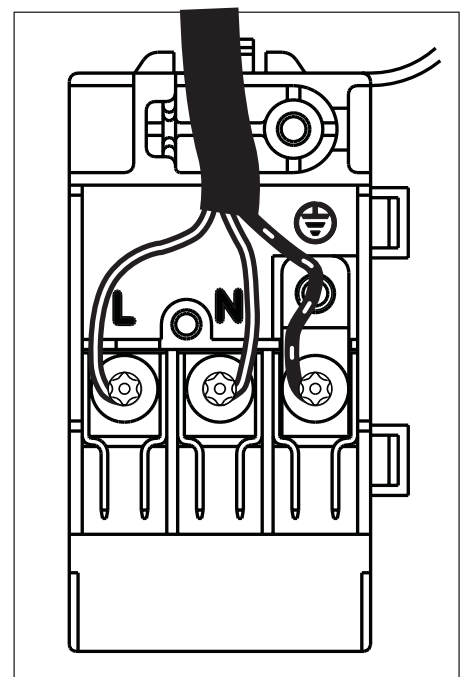


Fig. 9