

INSTALLATION

For your convenience, Electrolux has a network of highly qualified Authorized Service to install your hood. Contact with a Electrolux Authorized Services. The installation of this product is not free of charge and this service will be charged a installation fee. This installation does not include services site preparation (eg, masonry, electrical, outlets, circuit breakers, and other accessories do not come with the product), as are responsible consumers. * Accessories required for installation (not supplied)

Conditions for the Installation Site

The air must not be discharged into a flue that is used for exhausting fumes from appliances burning gas or other fuels. Regulations concerning the discharge of air have to be fulfilled.

When installed hood, the distance should not be lower than 60cm above the electric hob, or 65cm above the gas hob. If the manufacturer of the hob specify a distance greater than our recommendation, please use our information.

ATTENTION

Make sure that the wall or where Hood to be installed is strong enough to support the weight of the product.

Recirculation Modes / Exhaustion

In the recirculating air is filtered through the filter Activated carbon and recirculated into

the environment through the lateral outlets in the chimney. In the exhaust air is carried out of atmosphere through a duct with a diameter of 120mm to be connected to support located on the upper body of the hood. When installed horizontally duct should be slight upward angle (approx. 10th) to facilitate the exit of air to the external environment. See the pictures below possible ways to installation.

IMPORTANT

The pipeline is not included with the product and must be purchased by the consumer.

ATTENTION

Remove the butterfly valve (part split and spring) of part of the mounting bracket duct, the product ALWAYS is installed / used recirculation mode.

IMPORTANT

If your stove stay leaning against a corner or very close to the wall, the Hood will be displaced from center of the stove, may affect the yield of product. Before you start Installation evaluate the best way to secure your hood.

INSTALLING THE HOOD

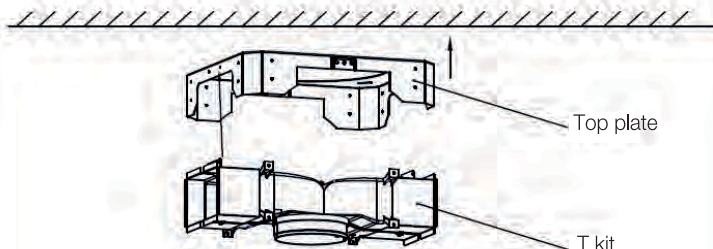
ATTENTION

Before installing the Hood, remove the film plastic which protects the product surface.

Step 1:

Fix the top plate to the ceiling

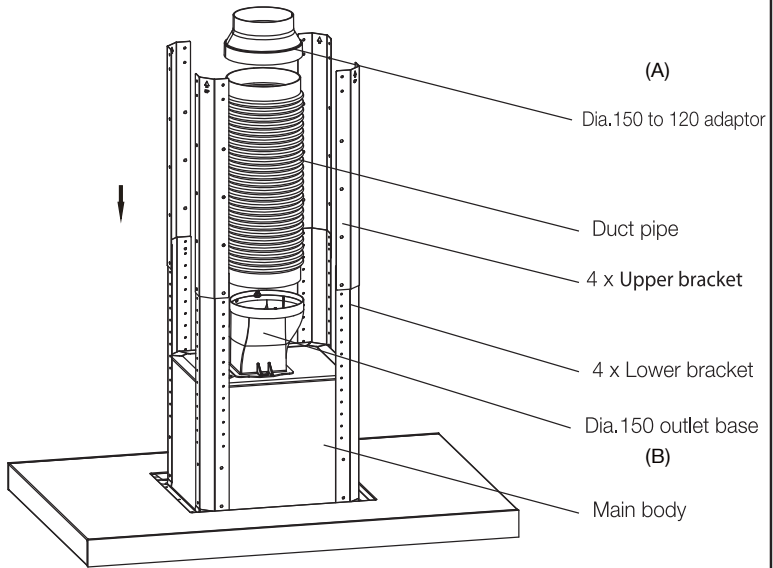
Screw the T kit to the top plate for recirculation option.



Step 2:

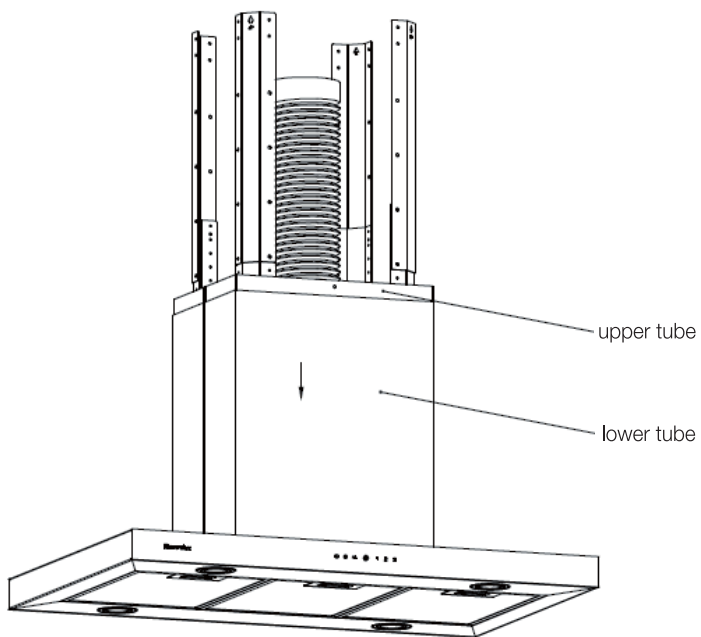
Fix the outlet base and duct pipe on to the main body.

Basing on the ceiling height, get the length of the upper brackets and lower brackets, and then secure to the main body.



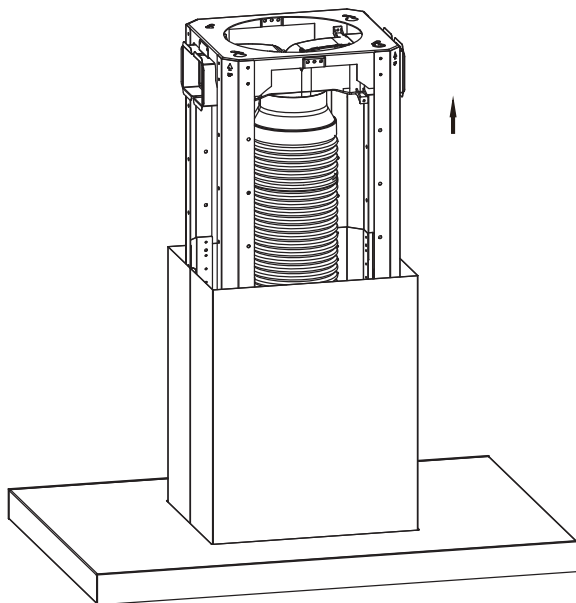
Step 3:

Place the upper tube and lower tube on to the main body



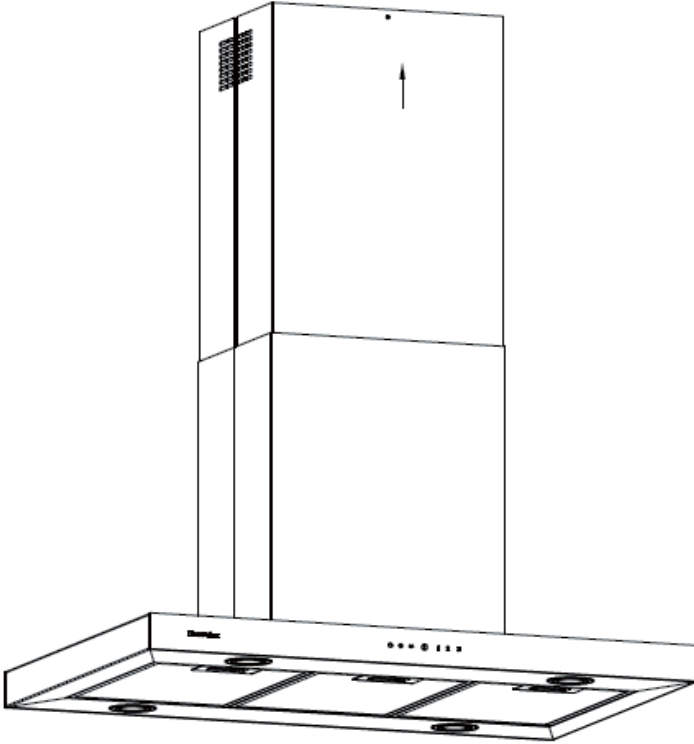
Step 4:

Install main body by fixing the upper brackets to top plate.
Connect power cable and duct pipe.



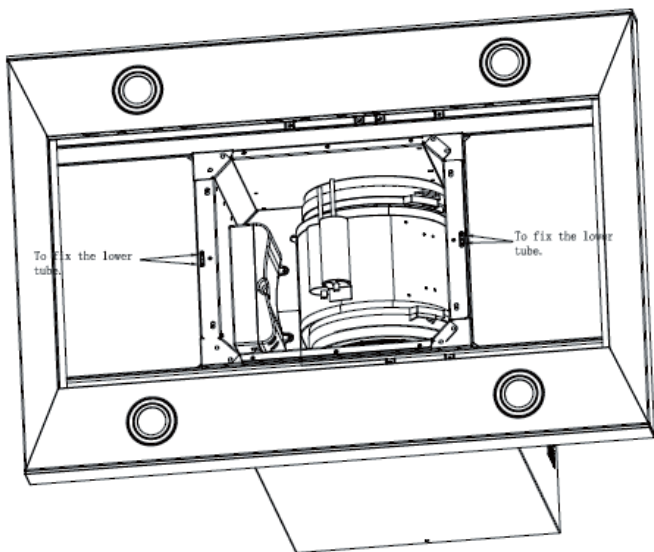
Step 5:

Slide the upper tube and it to the top plate by two screw at front and rear.



Step 6:

Take out the filters and fix the lower tube main body by 4 screws.



ATTENTION

To use the exhausted mode, the activated carbon filters need to be removed.