

# INSTALLATION



## CAUTION!

Do not block the air vents. If you do that, the appliance can over-heat.



## CAUTION!

Do not connect the appliance to adapters or extension leads. This can cause overloading and risk of fire.

- The appliance is for built-in use only.
- The fitted cabinet must not have a back wall behind the appliance.
- Put the appliance far away from steam, hot air and water splashes.
- If you transport the appliance in cold weather, do not activate it immediately after the installation. Let it stand in the room temperature and absorb the heat.

## 1 Electrical installation



### WARNING!

Only a qualified person must do the electrical installation.



The manufacturer is not responsible if you do not follow the safety precautions from the chapter "Safety Information".

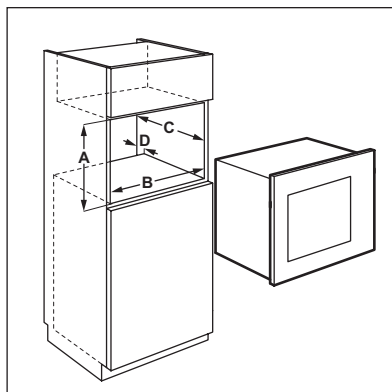
This appliance is supplied with a main cable and main plug.



### CAUTION!

Minimum installation height is 85 cm.

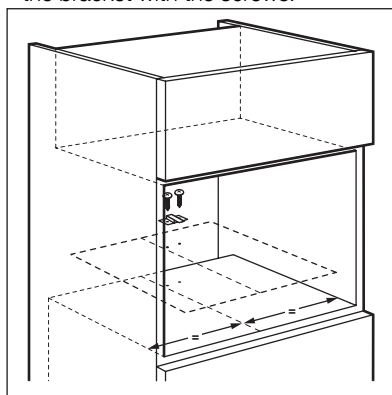
1. Check if the dimensions of the furniture meet the installation distances.



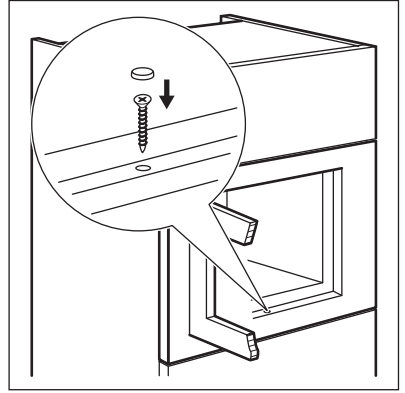
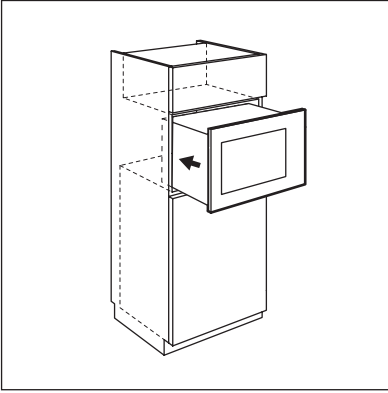
## Installation distances

Dimension	mm
A	380 + 2
B	560 + 8
C	340
D	18

2. Put the template on the bottom of cabinet and mark the spots for screws. Remove the template and fix the bracket with the screws.



3. Install the appliance. Make sure the bracket locks the back of the appliance.



4. Open the door and fix the appliance to the cabinet with a screw.