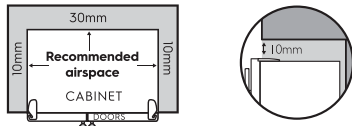


Installing your new refrigerator

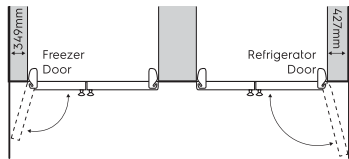
Clearance around your refrigerator

Your Refrigerator can be installed between cupboards or fixtures but you must consider the following spaces around the cabinet:

1. Allow a minimum of 10mm clearance on both sides.
2. Allow 30mm clearance at the back of the refrigerator.
3. Allow 10mm clearance above the hinge covers.



4. Allow a 350 or 430mm clearance on the hinge side of the doors, if you place the refrigerator next to the wall. This will make cleaning easier.



5. Make sure that cupboards or fixtures do not stick out further than the refrigerator cabinet.

Note: Refrigerator doors on all models are designed to sit proud of cabinetry (not flush).

The appliance should arrive with the stability foot wound fully up so it will not interfere with the operation of the rollers (see diagram in Step 3 below).



caution

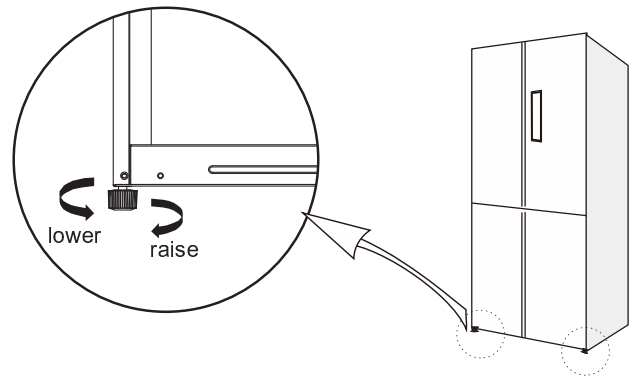
The rollers are designed for forward or backward movement only. They are not castors. Moving the refrigerator sideways may damage your floor and the rollers.

Adjusting procedures:

- a. Turn the feet clockwise to raise the refrigerator;
- b. Turn the feet counterclockwise to lower the refrigerator;
- c. Adjust the right and left feet based on the procedures above to a horizontal level.

Installation


1. Roll the refrigerator into its final position.
2. The top of the refrigerator should be tilted back by approximately 20mm. This will allow the doors to self-close providing a consistent door seal and stability when the doors are open.
3. When you have the appliance in its final position, it needs to be stabilized wind the stability foot down to the floor until it just makes contact with the floor. Whenever you need to move the appliance, be sure to wind the foot back up so that the appliance can roll freely and be sure to reset it when reinstalling. (The wrench opening size 30mm)

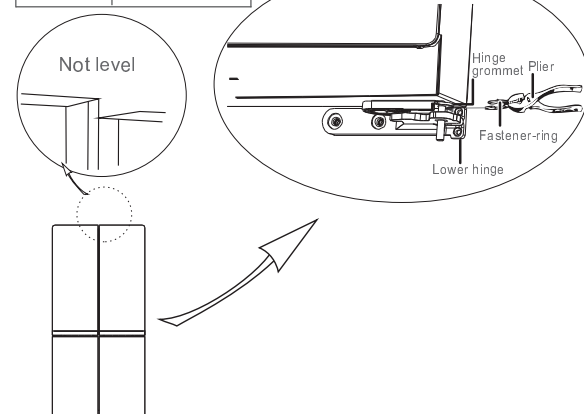


4. Check the alignment of the refrigerator to the surrounding cupboards. The top of the refrigerator should be on the same level from side to side.
5. If you need to adjust the level, use the adjustable rollers as discussed previously.
6. If the refrigerator rocks from one corner to the opposite rear corner, this means that the floor is uneven; you will need to put some packing under one of the rear rollers. You could use thin pieces of solid material, such as thin board, vinyl floor tiles or laminate. Place the packing so that it will sit under one of the rear rollers when the refrigerator is rolled into position.
7. You may now need to fine-tune the installation by repeating Steps 3, 4 and 5.
8. Whenever you need to move the refrigerator, be sure to wind the foot back up so that the refrigerator can roll freely.
9. Clean your refrigerator thoroughly following the instructions on page 9 and wipe off any dust that was accumulated during shipping.
10. Leave standing in stable upright position for 2-3 hours prior to turn "on".
11. Plug the refrigerator into the power point. Don't use a double adaptor. If you need to roll the refrigerator out to get at the power point, remember to raise the stability foot before you do so.
12. We recommend that you let your refrigerator run for two to three hours before you put any food in it. It will allow you to check that it is operating properly.

Your new refrigerator has been supplied with protective plastic film on the doors and cabinet, you can choose to remove this film as needed.

Levelling door (Optional)

List of tools to be provided by the user	
	plier



Raise the lower door up to the level of the higher door.

Insert the supplied fastening ring by using plier in the gap between the hinge-grommet and the lower hinge. The number of Fastener-rings you will need to insert depends on the gap.

Congratulations! You have successfully installed your new refrigerator.



Keep ventilation openings, in the appliance enclosure or in the built-in structure clear of obstruction.

Refrigerator operation

The refrigerator transfers heat from food placed inside the appliance to the outside air.

This process makes the rear, the sides and the area adjacent to the doors, particularly at initial start up, feel warm to hot, this is normal.

There is a cooling coil located behind the rear wall of the cabinet. This coil cools and removes moisture from the air. A fan then circulates cold, dry air throughout the cabinet.

This air circulation means that food are refrigerated far more quickly than in refrigerators where the air remains relatively static.

Avoid placing food against air outlets as this will affect air circulation.

Light frosting will occasionally occur on the cold interior of the freezer when the door is opened frequently. This is normal and will disappear after a few days in most climates.

Make sure you fully close the freezer door after you load or remove food. If the door is left partly open, a heavy frost will coat the inside of the freezer. If a frost develops, remove it. Ensure to properly close the door, so the frost will not reoccur.

Your new energy efficient appliance uses a high-speed compressor and other energy efficient components that may produce different noises to your old appliance.

These sounds are normal and includes:

- Compressor running noise.
 - Air movement noise from the small fan motor.
 - Occasional gurgling, similar to water boiling.
 - A popping noise, heard during automatic defrosting.
 - A clicking noise, just prior to the compressor starting up.
- These noises are normal and will not cause the unit to alarm.

Changing the light

Any replacement or maintenance of the LED lamps is intended to be made by the manufacturer, its service agent or similar qualified person.

Energy saving tips

The appliance should be located in the coolest area of the room, away from heat producing appliances or heating ducts, and out of the direct sunlight.

Let hot foods cool to room temperature before placing in the appliance. Overloading the appliance forces the compressor to run longer. Foods that freeze too slowly may lose quality, or spoil.

Be sure to wrap foods properly, and wipe containers dry before placing them in the appliance. This cuts down on frost build-up inside the appliance.

Appliance storage bin should not be lined with aluminum foil, wax paper, or paper toweling. Liners interfere with cold air circulation, making the appliance less efficient.

Organize and label food to reduce door openings and extended searches. Remove as many items as needed at one time, and close the door as soon as possible.

Temperature Control

The factory default settings;

Refrigerator at 5°C
Freezer at -18°C

If you want to change the temperature, follow the instructions in the section about the user interface for your model. Ensure that you make only small adjustments and wait 24 hours to see if it's correct to your liking.

Note: When you set a temperature, you set an average temperature for the whole refrigerator cabinet.

Checking the softness of ice cream is a good indication that your freezer is the right period, while checking the temperature of water kept in the refrigerator is a good way of checking the temperature of the food compartment.

Temperature inside each compartment may vary, depending on how much food you store and where you place it.

High or low room temperature may also affect the actual temperature inside the refrigerator.



This appliance can be used by children aged from 8 years and above and persons with reduced physical, sensory or mental capabilities or lack of experience and knowledge if they have been given supervision or instruction concerning use of the appliance in a safe way and understand the hazards involved. Children shall not play with the appliance. Cleaning and user maintenance shall not be made by children without supervision.