

RANGEHOOD INSTALLATION



WARNING!

Refer to "Safety information" chapter.



BEFORE INSTALLATION

Before the installation of the appliance, record the information below from the rating plate. The rating plate is on the bottom of the appliance casing.

Model _____

PNC _____

Serial number _____

- Using a spirit level mark a vertical centre line on the wall where the hood is to be positioned, and a horizontal line at the hood base position (refer diagram below).

NOTE: The height of the underside of the hood body must be a minimum of 600mm to a maximum height of 800mm.*

* If the instructions of the hob specify a greater distance than the minimum above, then that shall be the minimum height for installation.

- Mark the location for flue cover wall mounting brackets and cooker hood mounting points and anti-tilt fixing points above the hood base using the hood base as the reference point (Fig. 6).

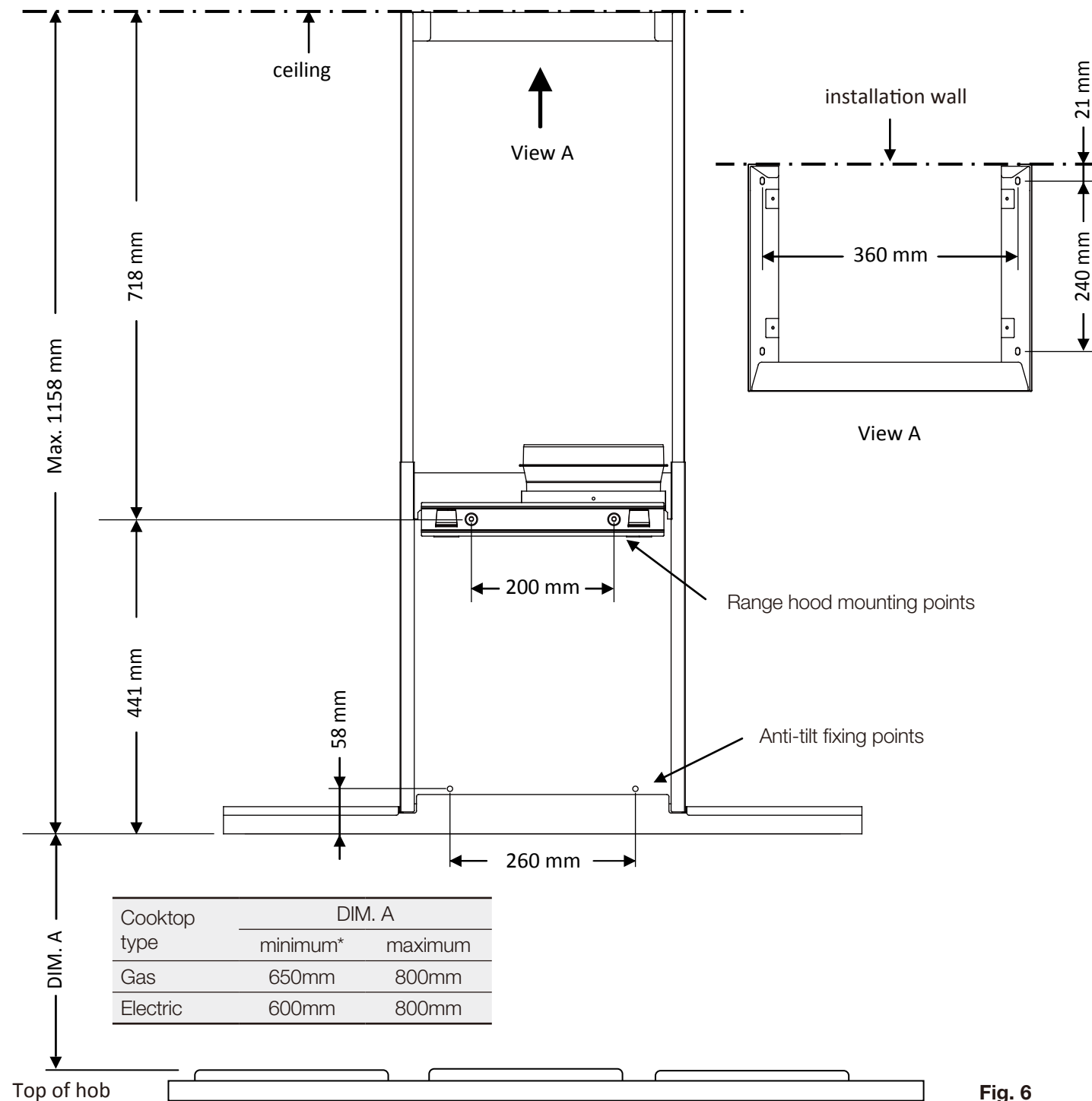


Fig. 6

RANGEHOOD INSTALLATION (CONT)

- Install flue cover wall mounting brackets with suitable fixings. Install suitable screws for cooker hood mounting points (to support a total weight of 30kg) to the wall as marked (Fig. 6).

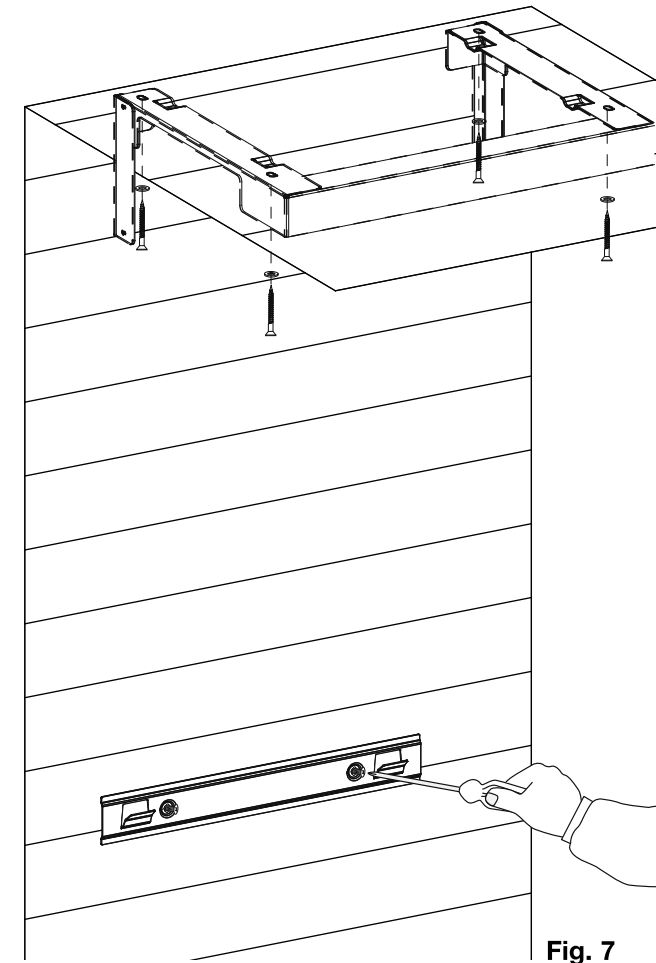


Fig. 7

- Remove protective plastic film, if present, from the hood body and hang on the wall bracket. Install the two anti-tilt fasteners.

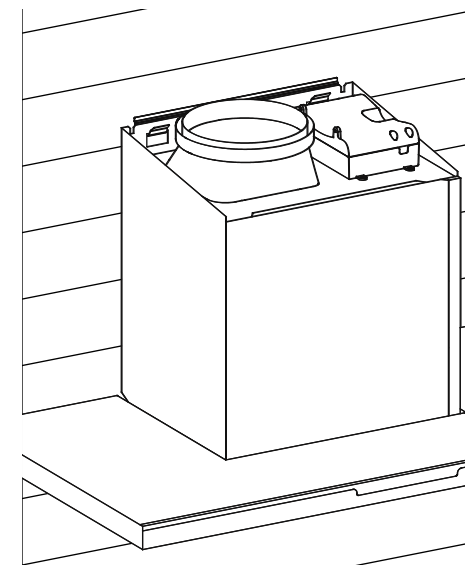


Fig. 8

Depending on the preferred installation/ducting mode, follow step 5a or 5b below.

5a. Recirculating mode (Fig. 9).

Using the centre line, secure the recirculating T-piece to the wall with suitable screws/fixings. Install flexible pipe between T-piece and the exhaust transition duct. Use cable ties or suitable duct tape to secure flexible pipe to T-piece and transition duct (Fig. 11).

NOTE: When installed in recirculating mode, it is recommended to use a carbon filter to prevent odours being emitted back into the room.

5b. Ducted mode (Fig 10.)

The canopy rangehood has been supplied with a duct transition and 150mm diameter flexible flue. Fit the flexible flue to the duct transition (Fig. 10). Use cable ties or suitable duct tape to secure flexible pipe to the duct transition.

NOTE: For ducted mode, we recommend extending flue pipe through the roof to external "china hat" to vent exhaust externally. We do not recommend venting into ceiling cavity.

NOTE: To ensure optimum performance of the rangehood, the use of rigid ducting is recommended. The use of bends should be avoided. All ducting must be fire retardant

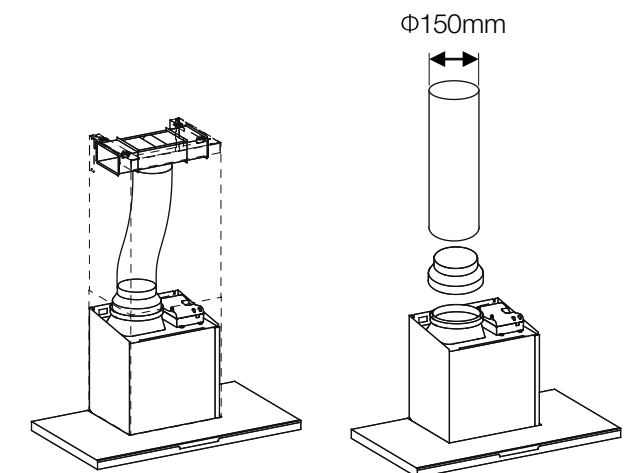


Fig. 9

Fig 10

RANGEHOOD INSTALLATION (CONT)

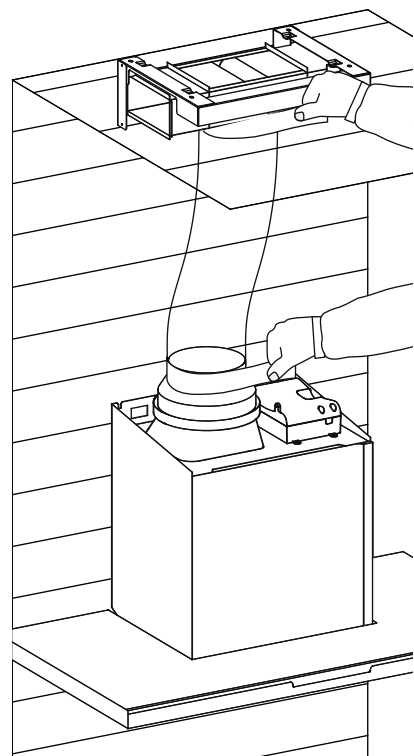


Fig. 11

6. Electrical connection

Check that the installation complies with the standards of local building, gas and electrical authorities. Before connecting to the mains supply ensure that the mains voltage corresponds to the voltage on the rating plate inside the rangehood.

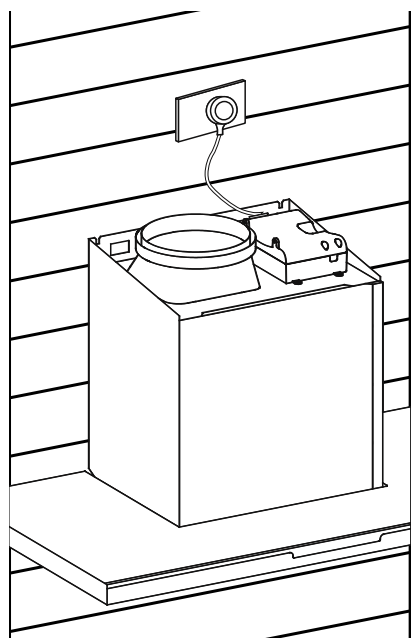


Fig. 12

RANGEHOOD INSTALLATION (CONT)

installation of telescopic flue covers

Separate the inner and outer flue covers. Carefully reassemble the upper and lower flue covers sections by sliding the inner into the outer flue cover. Carefully lower the assembled upper and lower flue covers onto the top of the rangehood body, and insert the flue cover into the rangehood body approximately 5mm. Fix upper flue cover to the wall mounting bracket with screws supplied. Ensure that the upper section is extended.

NOTE: Carefully remove the plastic protective coating, if present, from the flue covers. Pay particular attention when removing protective plastic coating from decals.

! IMPORTANT!

Care must be taken to ensure the screws are not cross threaded when attaching the upper flue cover. If installed in recirculating mode, insert the carbon filter. To complete the rangehood installation, insert the three filters to the underside of the hood body. Place back edge of filter into position and push up front edge so that the filter clips into place.

Your Electrolux rangehood is now ready to use.

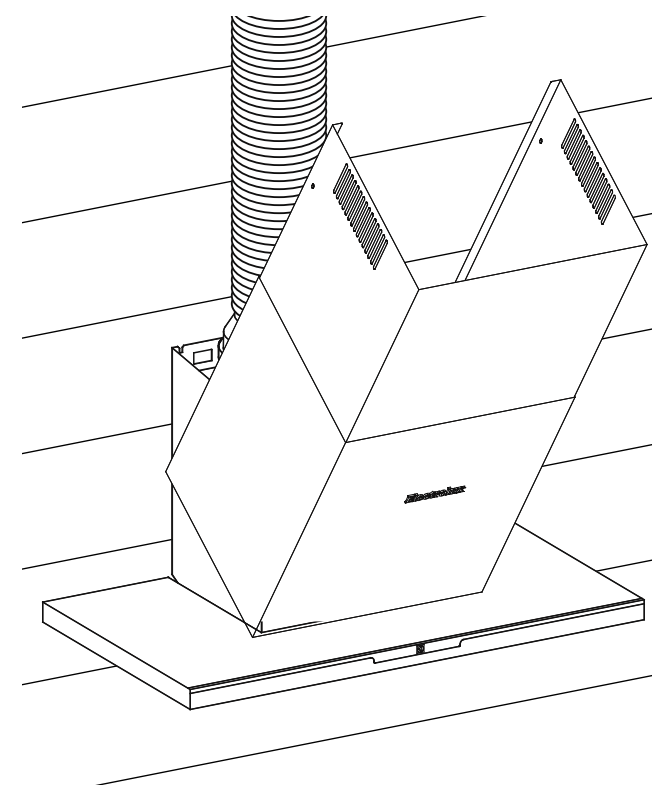


Fig. 13

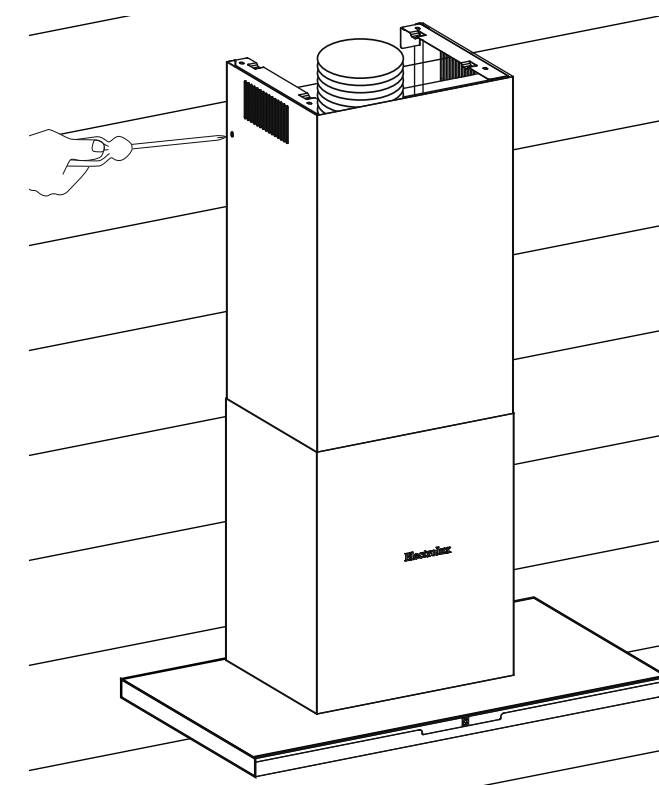


Fig. 14