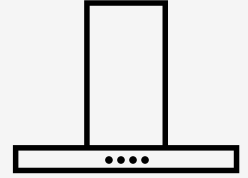




Thinking of you  
**Electrolux**



User manual

คู่มือการใช้งาน

Hướng dẫn sử dụng

Manual bagi Pengguna

Canopy Rangehood

เครื่องดูดควันแบบระจิม

Máy hút mùi dạng treo

Tudung Asap Kanopi

EFC925SAR  
& EFC926BAR



## WE'RE THINKING OF YOU

Thank you for purchasing an Electrolux appliance. You've chosen a product that brings with it decades of professional experience and innovation. Ingenious and stylish, it has been designed with you in mind. So whenever you use it, you can be safe in the knowledge that you'll get great results every time. Welcome to Electrolux.

## BEFORE USING YOUR APPLIANCE

Before you use the rangehood, we recommend that you read through the whole user manual which provides the description of the rangehood and its functions. To avoid the risks that are always present when you use an electrical appliance, it is important that the rangehood is installed correctly and that you read the safety instructions carefully to avoid misuse and hazards.

For future reference, please store this booklet in a safe place.

## CONDITIONS OF USE

This appliance is intended to be used in household and similar applications such as:

- Staff kitchen areas in shops, offices and other working environments
- Farm houses
- By clients in hotels, motels and other residential type environments
- Bed and breakfast type environments

## BEFORE YOU CALL

Please ensure you read the instruction manual fully before you call for service, or a full service fee could be applicable.

## RECORD MODEL AND SERIAL NUMBER HERE:

Model: \_\_\_\_\_

Serial No: \_\_\_\_\_

## CONTENTS

- 3 **Safety information**
- 4 **Product description**
- 5 **Dimensions**
- 6 **Rangehood installation**
- 10 **Using the rangehood**
- 11 **Maintenance and cleaning**
- 12 **Troubleshooting**
- 13 **Customer Care Center**

## LEGEND

### **WARNING!**

This symbol indicates information concerning your personal safety.

### **CAUTION!**

This symbol indicates information on how to avoid damaging the rangehood.

### **IMPORTANT!**

This symbol indicates tips and information about use of the rangehood.

### **ENVIRONMENT!**

This symbol indicates tips and information about economical and ecological use of the rangehood.

## SAFETY INFORMATION

This manual explains the proper use of your new Electrolux canopy rangehood. Please read this manual carefully before using the product. This manual should be kept in a safe place for handy reference.

This canopy rangehood is a domestic appliance which has been manufactured and tested to comply with International Standard IEC 60335.2.31.














Read the following carefully to avoid damage or injury.

 **This symbol indicates never to do this**

 **This symbol indicates always do this**

### **WARNING!**

**Follow these instructions carefully to avoid an electric shock or fire.**

	Young children should be supervised to ensure they do not play with the canopy rangehood.
	This appliance is not intended for use by persons (including children) with reduced physical, sensory or mental capabilities, or lack of experience and knowledge, unless they have been given supervision or instruction concerning the use of the appliance by a person responsible for their safety.
	Ensure the canopy rangehood is switched off before carrying out maintenance, to avoid any possibility of electric shock.
	Never carry out flambé cooking under the canopy rangehood.
	This canopy rangehood is not recommended for barbecues.
	This canopy rangehood cannot be installed for external use
	Grease filters must be removed every four weeks (maximum) for cleaning to reduce the risk of fire.
	The exhaust from the canopy rangehood must not be discharged into any heating flue, which may carry combustion products from other sources. (Fig. 1)
	Exhaust air must not be discharged into a wall cavity, unless the cavity is designed for the purpose.
	There must be adequate ventilation of the room when the canopy rangehood is used at the same time as appliances burning gas or other fuels.
	Always cover lit gas burners with pots or pans when canopy rangehood is in use.
	Always switch off gas burners before you remove pots or pans.
	Do not leave lit gas burners exposed due to the risk of fire. (Fig. 2)

### Electrical connection

Check that the mains voltage matches with the voltage on the data plate inside the canopy rangehood. Check that the installation complies with standards of local building, gas and electrical authorities. Before connecting to the mains supply ensure that the mains voltage corresponds to the voltage on the rating plate inside the cooker hood.

If the supply cord is damaged, it must be replaced by the manufacturer or its service agent or similarly qualified person in order to avoid a hazard.

### Safety warnings – For the installer

When installing the cooker hood, make sure you adhere to the minimum and maximum distances from the cooker hood base to the hob surface (as per table on page 6).

**Exhaust flue installation:** The following rules must be strictly followed to obtain optimal air extraction.

- Keep exhaust flue short and straight
- Do not reduce the size or restrict exhaust flue.
- Keep bends in the exhaust flue to a minimum.
- When using flexible flue always install duct with helix pulled taut to minimise pressure loss.
- Failure to observe these basic instructions will drastically reduce the performance and increase the noise levels of the cooker hood.

Exhaust air must not be discharged into a wall cavity, unless the cavity is designed for that purpose. The exhaust from the cooker hood must not be discharged into any heating flue, which may carry combustion products from other sources

*NOTE: Some installations may require the telescopic exhaust cover to be cut to length. Cut with sharp tin snips or a fine-tooth hack saw blade, taking care not to distort or dent the exhaust cover.*

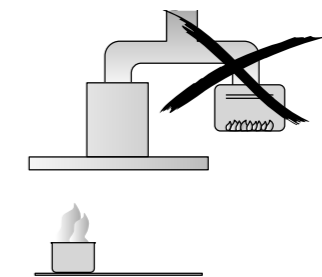


Fig. 1

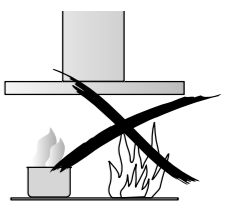


Fig. 2

PRODUCT DESCRIPTION

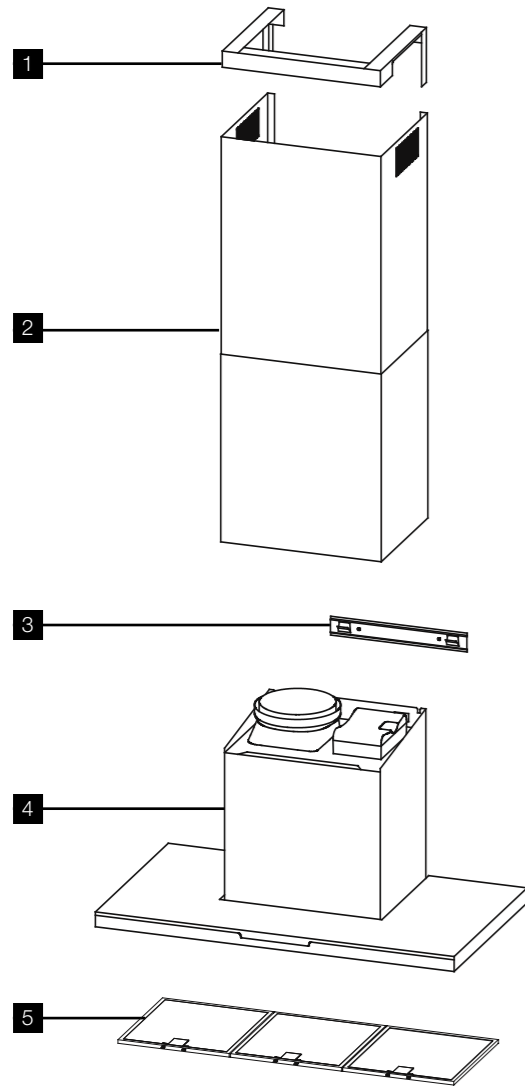


Fig. 3

- 1 Ceiling mount bracket
- 2 Telescopic flue cover set
- 3 Wall bracket
- 4 Main body and fan housing assembly
- 5 Grease filters

**additional items required for installation**

- Fixings required to attach rangehood body and anti tilt points.
- Fixings required to attach ceiling mounting bracket and hood bracket to the wall.
- Duct tape or cable ties.

**Technical Specification**

Power supply: 220-240 Volts 50Hz. Connects to 7.5A power point.  
 Lights: LED 1 x 8.5 watt, 12 Volt LED

DIMENSIONS

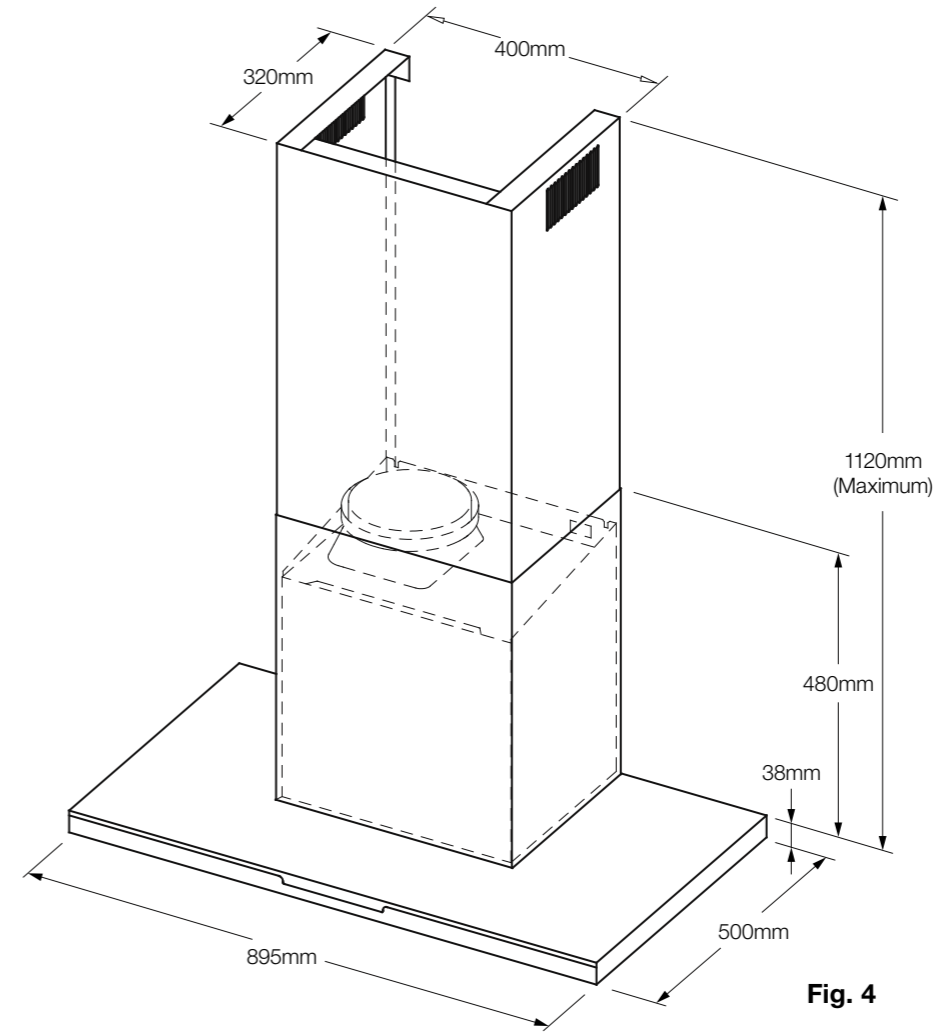


Fig. 4

NOTE:

- 1) The fan housing flue transition duct is 180mm in diameter.
- 2) Flue transition duct 180mm to 150mm is for external venting and Recirculation mode.

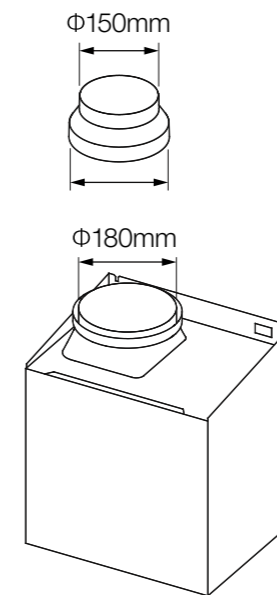


Fig. 5

## RANGEHOOD INSTALLATION



### WARNING!

Refer to "Safety information" chapter.



### BEFORE INSTALLATION

Before the installation of the appliance, record the information below from the rating plate. The rating plate is on the bottom of the appliance casing.

Model \_\_\_\_\_

PNC \_\_\_\_\_

Serial number \_\_\_\_\_

- Using a spirit level mark a vertical centre line on the wall where the hood is to be positioned, and a horizontal line at the hood base position (refer diagram below).

*NOTE: The height of the underside of the hood body must be a minimum of 600mm\* to a maximum height of 800mm.*

\* If the instructions of the hob specify a greater distance than the minimum above, then that shall be the minimum height for installation.

- Mark the location for flue cover wall mounting brackets and cooker hood mounting points and anti-tilt fixing points above the hood base using the hood base as the reference point (Fig. 6).

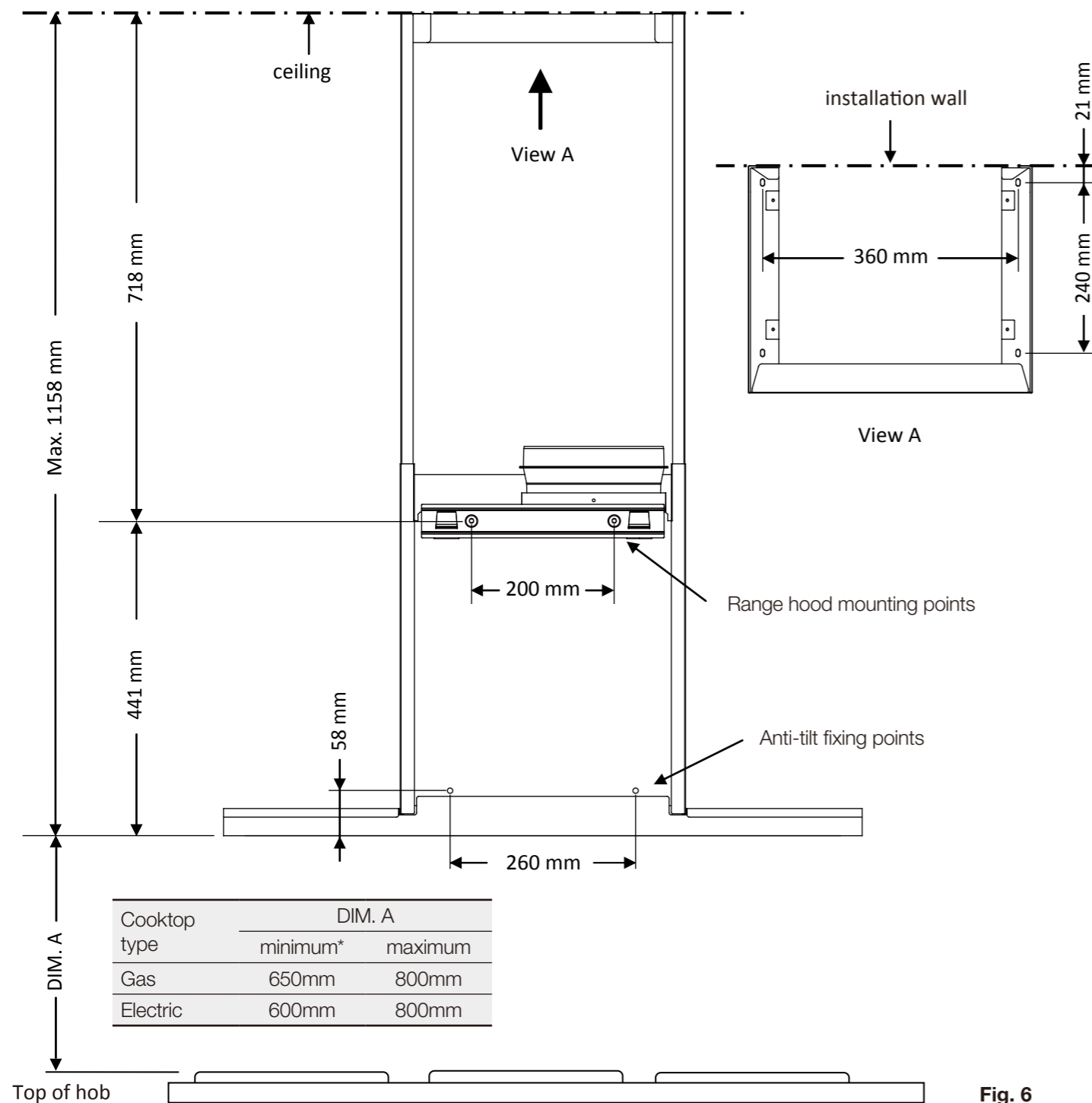


Fig. 6

## RANGEHOOD INSTALLATION (CONT)

- Install flue cover wall mounting brackets with suitable fixings. Install suitable screws for cooker hood mounting points (to support a total weight of 30kg) to the wall as marked (Fig. 6).

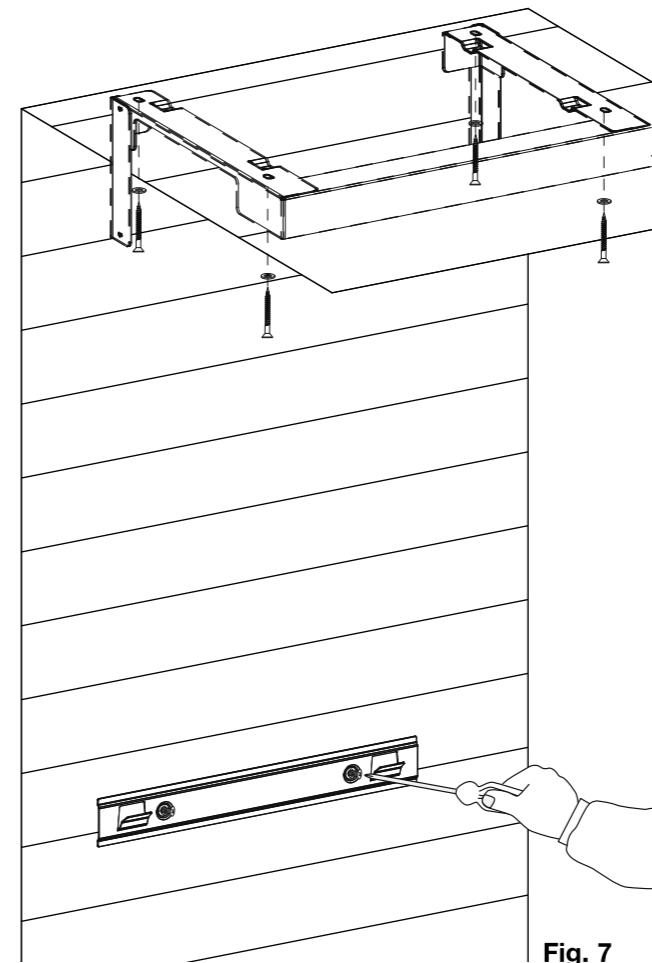


Fig. 7

- Remove protective plastic film, if present, from the hood body and hang on the wall bracket. Install the two anti-tilt fasteners.

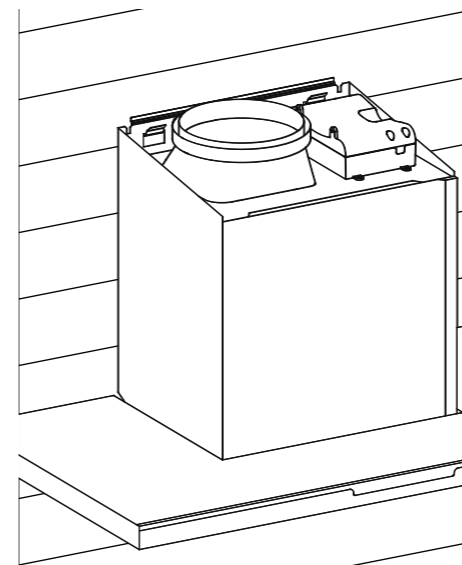


Fig. 8

Depending on the preferred installation/ducting mode, follow step 5a or 5b below.

### 5a. Recirculating mode (Fig. 9).

Using the centre line, secure the recirculating T-piece to the wall with suitable screws/fixings. Install flexible pipe between T-piece and the exhaust transition duct. Use cable ties or suitable duct tape to secure flexible pipe to T-piece and transition duct (Fig. 11).

*NOTE: When installed in recirculating mode, it is recommended to use a carbon filter to prevent odours being emitted back into the room.*

### 5b. Ducted mode (Fig 10.)

The canopy rangehood has been supplied with a duct transition and 150mm diameter flexible flue. Fit the flexible flue to the duct transition (Fig. 10). Use cable ties or suitable duct tape to secure flexible pipe to the duct transition.

*NOTE: For ducted mode, we recommend extending flue pipe through the roof to external "china hat" to vent exhaust externally. We do not recommend venting into ceiling cavity.*

*NOTE: To ensure optimum performance of the rangehood, the use of rigid ducting is recommended. The use of bends should be avoided. All ducting must be fire retardant*

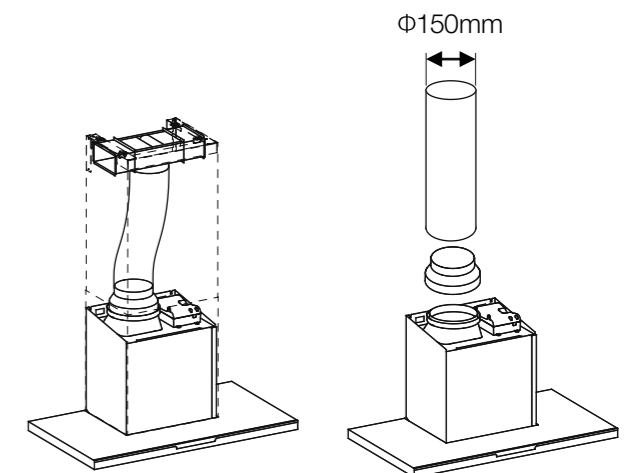


Fig. 9

Fig 10

## RANGEHOOD INSTALLATION (CONT)

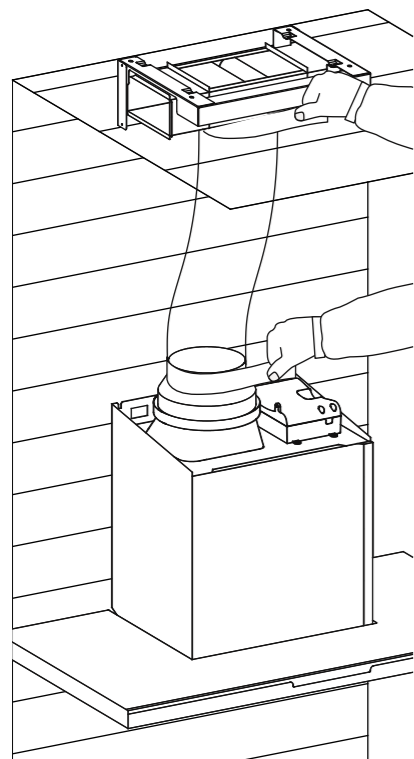


Fig. 11

## 6. Electrical connection

Check that the installation complies with the standards of local building, gas and electrical authorities. Before connecting to the mains supply ensure that the mains voltage corresponds to the voltage on the rating plate inside the rangehood.

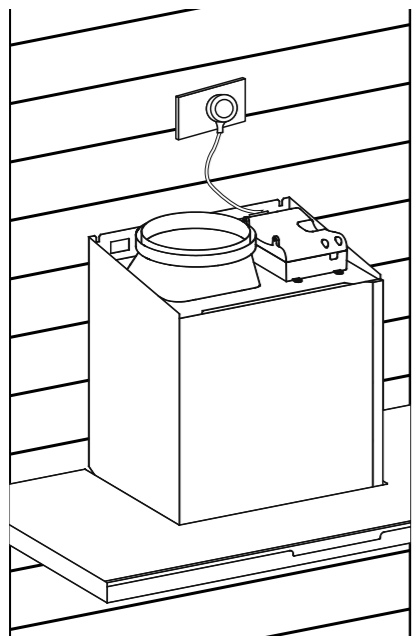


Fig. 12

## RANGEHOOD INSTALLATION (CONT)

## installation of telescopic flue covers

Separate the inner and outer flue covers. Carefully reassemble the upper and lower flue covers sections by sliding the inner into the outer flue cover. Carefully lower the assembled upper and lower flue covers onto the top of the rangehood body, and insert the flue cover into the rangehood body approximately 5mm. Fix upper flue cover to the wall mounting bracket with screws supplied. Ensure that the upper section is extended.

*NOTE: Carefully remove the plastic protective coating, if present, from the flue covers. Pay particular attention when removing protective plastic coating from decals.*

**! IMPORTANT!**

Care must be taken to ensure the screws are not cross threaded when attaching the upper flue cover. If installed in recirculating mode, insert the carbon filter. To complete the rangehood installation, insert the three filters to the underside of the hood body. Place back edge of filter into position and push up front edge so that the filter clips into place.

Your Electrolux rangehood is now ready to use.

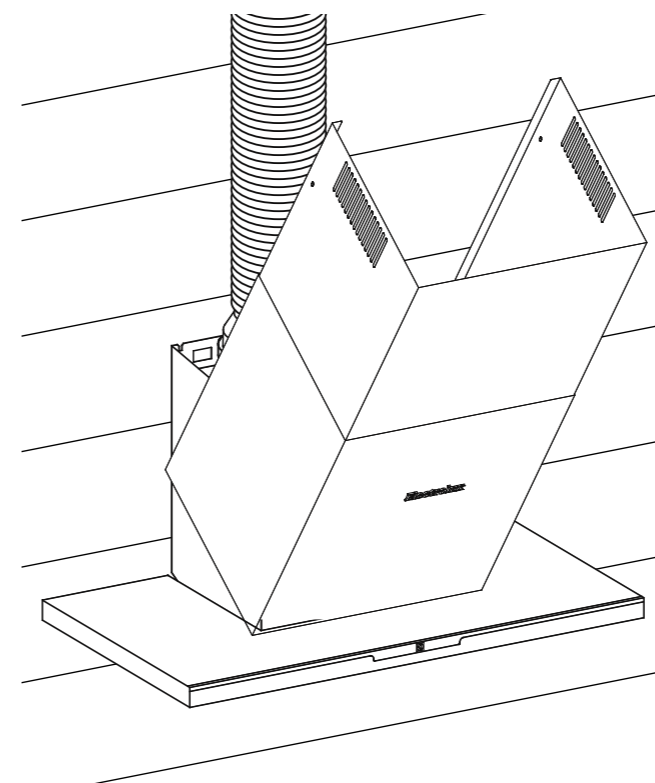


Fig. 13

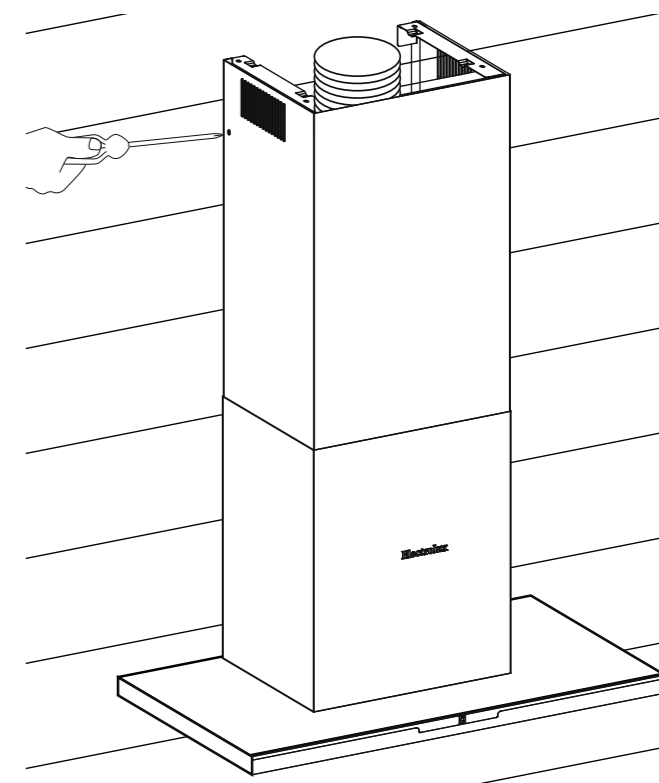
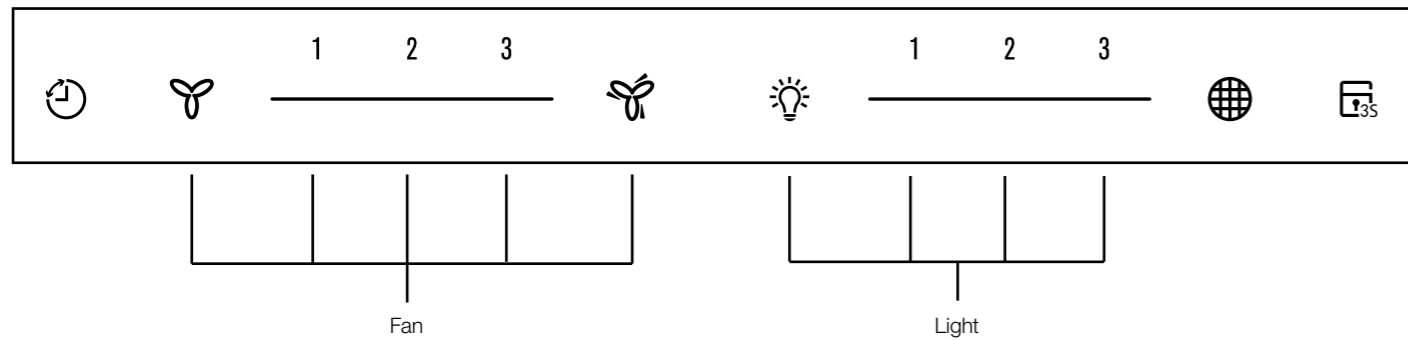


Fig. 14

## USING THE RANGEHOOD



### Standby mode

When connecting the hood to the power supply for the first time or after power is returned after power outage, all symbols on the control panel will light up from left to right and a “beep” will sound once. Following this, the control panel goes to standby mode and the hood will be ready for use.

### Turning on hood

When the hood is in standby mode, user can either press the fan or light button to turn on the fan or light individually. The default factory level is 2, following that, the hood remembers the last used setting and will start at that level when the user presses the fan or light button. Pressing directly on the slider strip will also allow the user to jump straight into the level pressed.

### Fan – select speed to suit cooking conditions.

- ☞ – motor on/off
- 1 – light frying/boiling
- 2 – frying/wok cooking/heavy boiling
- 3 – grilling, intensive frying and wok cooking
- ☞ – stir frying

*NOTE: Touch the symbol to turn the fan boost ON, the fan boost starts running at the highest fan speed for 1 minute before reducing to speed 3 automatically.*


### Light – select light level

- ☞ – Light on/off
- 1 – low-light level
- 2 – mid-light level
- 3 – high-light level


### Using the Timer


At the end of cooking, if the timer is switched on, the rangehood will continue to run for an additional 5 minutes, depending on the selected fan speed. This should ensure the removal of any odours that remain after cooking.





### Filter

This is the indicator/switch  to show when the filter needs to be cleaned. Once the filters are cleaned the “Filter” alert can be deactivated with a single touch.

### Control Lock

Press and hold 3 seconds the  button will lock the control panel at any time. The same action will unlock the control panel.

When control is locked, pressing any other button will make  button blink and a beep will sound.

- When the hood is working (light on and fan on) and  is touched then hood will stop fan but keep lighting on while lock menu.
- When the hood is working (lights off and fan on) and the  is touched then hood will stop fan and keep lighting off while lock menu.
- When  is activated when hood is working it will just change the status of fan motor and not change the status of lighting.
- When  is touched while hood stops then it will just lock the menu

## MAINTENANCE AND CLEANING

### ! CAUTION!

- **Before maintenance or cleaning is carried out, the canopy rangehood should be disconnected from the main power supply. Ensure that the rangehood is switched off at the wall socket and the plug removed.**
- **External surfaces are susceptible to scratches and abrasions, so please follow the cleaning instructions to ensure the best possible result is achieved without damage.**
- **These instructions must be followed to avoid a fire risk**

### Stainless Steel Surface

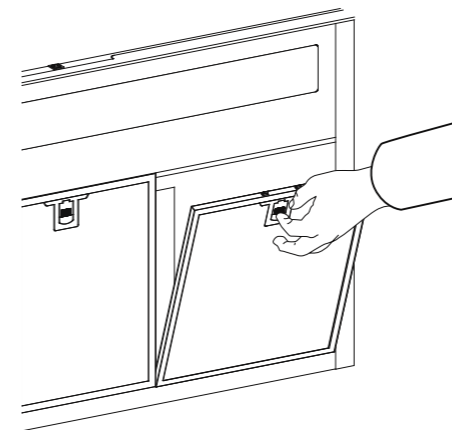
Clean stainless steel surfaces using non-abrasive cleaning products that are specifically for use on stainless steel. To ensure best results also use an even pressure and follow the grain of the stainless steel. Use of a soft cloth reduces the risk of scratching. If the cloth is wet ensure that a dry soft cloth is used to wipe down the surface again reducing the risk of any surface rust appearing.

### Control panel surface

The control panel can be cleaned using warm soapy water. Ensure the cloth is well wrung before cleaning. Use a dry soft cloth to remove any excess moisture left after cleaning.

### Removing the metal grease filters

Push the grease filter towards the left side of the unit and then pull it down.



### Hand washing

The mesh filters can be cleaned by hand in warm soapy water. Soak in warm water and some washing up liquid. For stubborn grease stains use a soft nylon brush to help remove these stains. After cleaning ensure that the filters are completely dry before refitting.

### Dishwasher

Place grease filters in the dishwasher. Select the most powerful washing program and highest temperature, at least 65°C. Repeat the process. Refit the grease filters when they are dry. When washing the metal grease filter in the dishwasher a slight discolouration of the filter can occur, this does not have any impact on its performance.

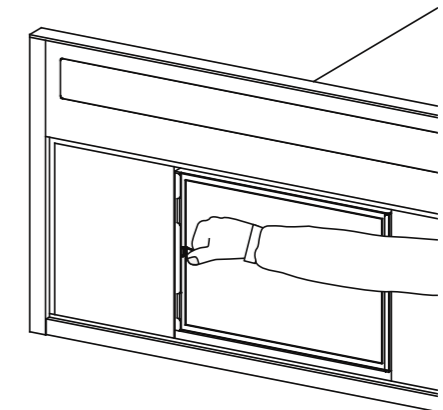
### Changing the lamps

Lamps are long life LED lamps and should not require service. If there is an issue with lamps please contact Service. Service contact details shown on page 13.

### Charcoal filter

- The charcoal filter should only be used if you want to use the hood in the recirculation function.
- This filter cannot be cleaned or re-used and as a general rule, the activated charcoal filter should be changed once every four months.

Open or fit the charcoal filter as shown in the image below.



- Always specify the hood model code number and serial number when ordering replacement filters. This information is shown on the registration plate located on the inside of this unit.
- Replacement charcoal filters can be ordered from your local Spare parts centre, contact details are shown on page 13.

## TROUBLESHOOTING

Problem	Remedy
The cooker hood will not start	Check that the hood is connected to an electrical supply Check that a fan speed has been selected
The cooker hood is not working	Check that the fan speed is set high enough for the task The grease filters are clean The kitchen is adequately vented to allow the entry of fresh air If set up for recirculation, check that the charcoal filter is still effective If set up for extraction, check that the ducting and outlets are not blocked Do not operate cooktop without pots/pans Do not flambe under cooktop
The cooker hood has switched off during operation	The safety cut-out device has been tripped – turn off the hob and wait for the device to reset. If the hood has been installed below the heights indicated in the installation instructions the motor will cut out frequently which will damage the hood

If you have completed all of the above checks and are still experiencing difficulty, please contact your local Electrolux Service Centre.

*NOTE: This product is fitted with a safety cutout device.*

- If the cooker hood is installed too close to the cooktop, flambe cooking, operating the cooktop without cooking utensils and blocked filters may activate the safety cutout device. If the hood stops during operation, correct the faults and allow time for the safety cutout device to reset, the cooker hood will then function correctly.
- Do not operate cooktop without pots/pans
- Do not flambe under cooktop

## CUSTOMER CARE CENTER

<p><b>Thailand</b> Call Center Tel : (+66 2) 725 9000 Electrolux Thailand Co.,Ltd. Electrolux Building 14th Floor 1910 New Petchburi Road, Bangkapi,Huay Kwang, Bangkok 10310 Office Tel : (+66 2) 7259100 Office Fax : (+66 2) 7259299 Email : customercarethai@electrolux.com</p>	<p><b>Malaysia</b> Domestic Toll Free : 1300-88-11-22 Electrolux Home Appliances Sdn. Bhd. Unit T2-7, 7th Floor, Tower 2 , Jaya33 Hyperoffice, No. 3, Jalan Semangat, Seksyen 13, 46100 Petaling Jaya, Selangor Office Tel : (+60 3) 7843 5999 Office Fax : (+60 3) 7955 5511 Email : malaysia.customercare@electrolux.com</p>
<p><b>Indonesia</b> Tel : (+62 21) 522 7180 PT. Electrolux Indonesia Gedung Plaza Kuningan Menara Utara 2nd Floor, Suite 201, Jl. HR Rasuna Said kav C 11-14, Karet Setiabudi Jakarta Selatan 12940 Office Tel: (+62 21) 522 7099 Office Fax: (+62 21) 522 7097 Email : customercare@electrolux.co.id</p>	<p><b>Philippines</b> Domestic Toll Free : 1-800-10-845-care 2273 Customer Care Hotline : (+63 2) 845 care 2273 Electrolux Philippines, Inc. 10th Floor. W5th Avenue Building 5th Avenue Corner 32nd Street Bonifacio Global City, Taguig Philippines 1634 Trunkline: +63 2 737- 4756 Website : www.electrolux.com.ph Email : wecare@electrolux.com</p>
<p><b>Vietnam</b> Domestic Toll Free : 1800-58-88-99 Tel : (+84 8) 3910 5465 Electrolux Vietnam Ltd. Floor 9th, A&amp;B Tower 76 Le Lai street – Ben Thanh Ward – District 1 Ho Chi Minh City , Vietnam Office Tel : (+84 8) 3910 5465 Office Fax : (+84 8) 3910 5470 Email : vncare@electrolux.com</p>	<p><b>Singapore</b> CUSTOMER CARE HOTLINE : (+65) 6507 8699 Electrolux S.E.A. Pte Ltd. 11 Lorong 3 Toa Payoh Jackson Square, Block B, #01-13/14/15 Singapore 319579 Office Tel : (+65) 6507 8900 Office Fax : (+65) 6356 5489 Email : customer-care.sin@electrolux.com</p>
<p><b>Hongkong</b> Tel: (+852) 8203 0298 Dah Chong Hong, Ltd. – Service Centre 8/F., Yee Lim Godown Block C 2-28 Kwai Lok Street, Kwai Chung, N.T. Hong Kong</p>	