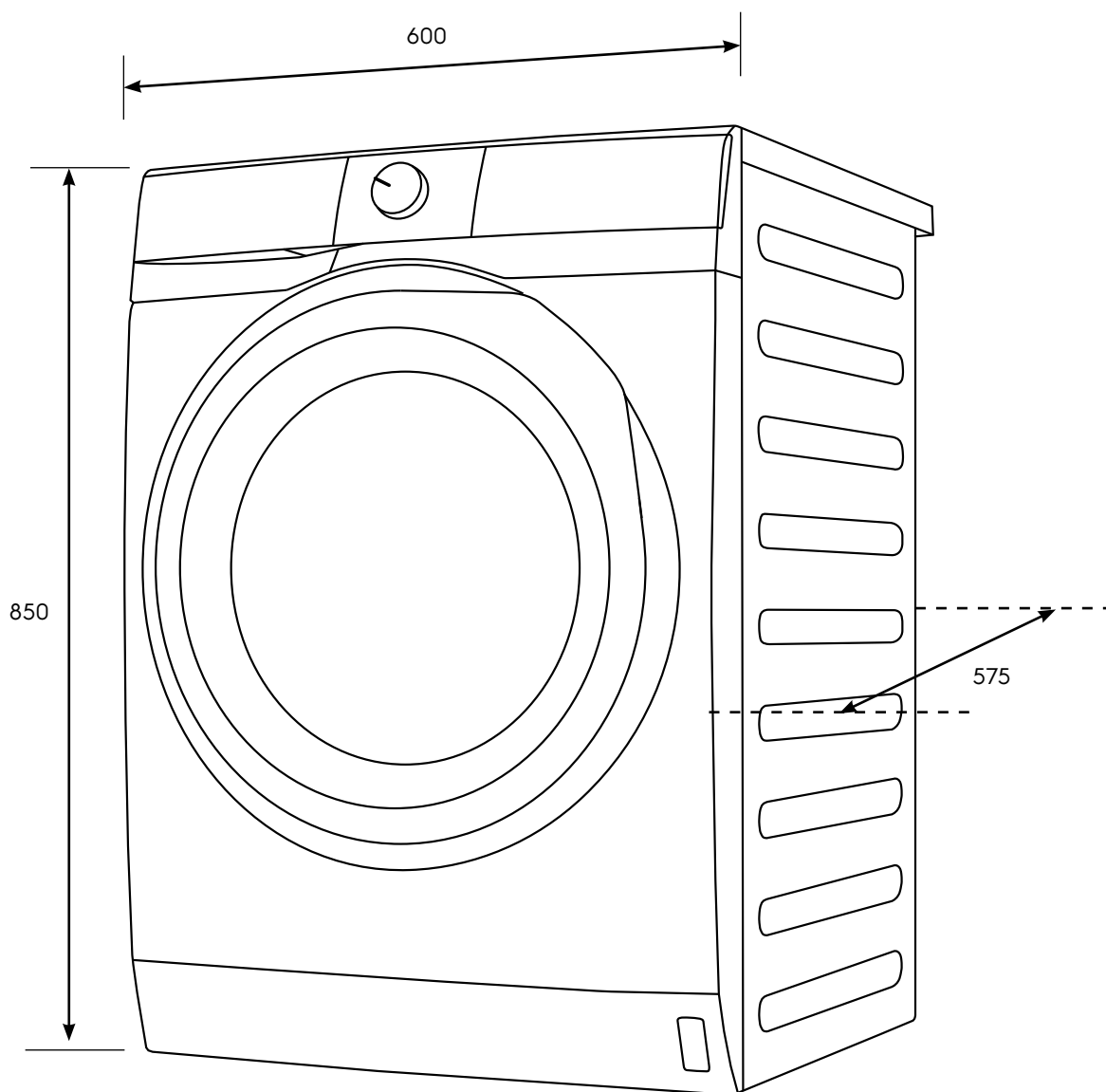


# Dimension Guide

## Front load washing machine

**Model:**  
EWF8024D3EC

| Dimensions   |       |        |       |
|--------------|-------|--------|-------|
|              | width | height | depth |
| Product (mm) | 600   | 850    | 575   |



**Please note!** Dimensions to be used as a guide only. All customers MUST refer to the user manual supplied with the product for detailed installation instructions.  
© 2026 Electrolux S.E.A PTE. LTD. ELX\_DIM\_EWF8024D3EC\_Jan26