

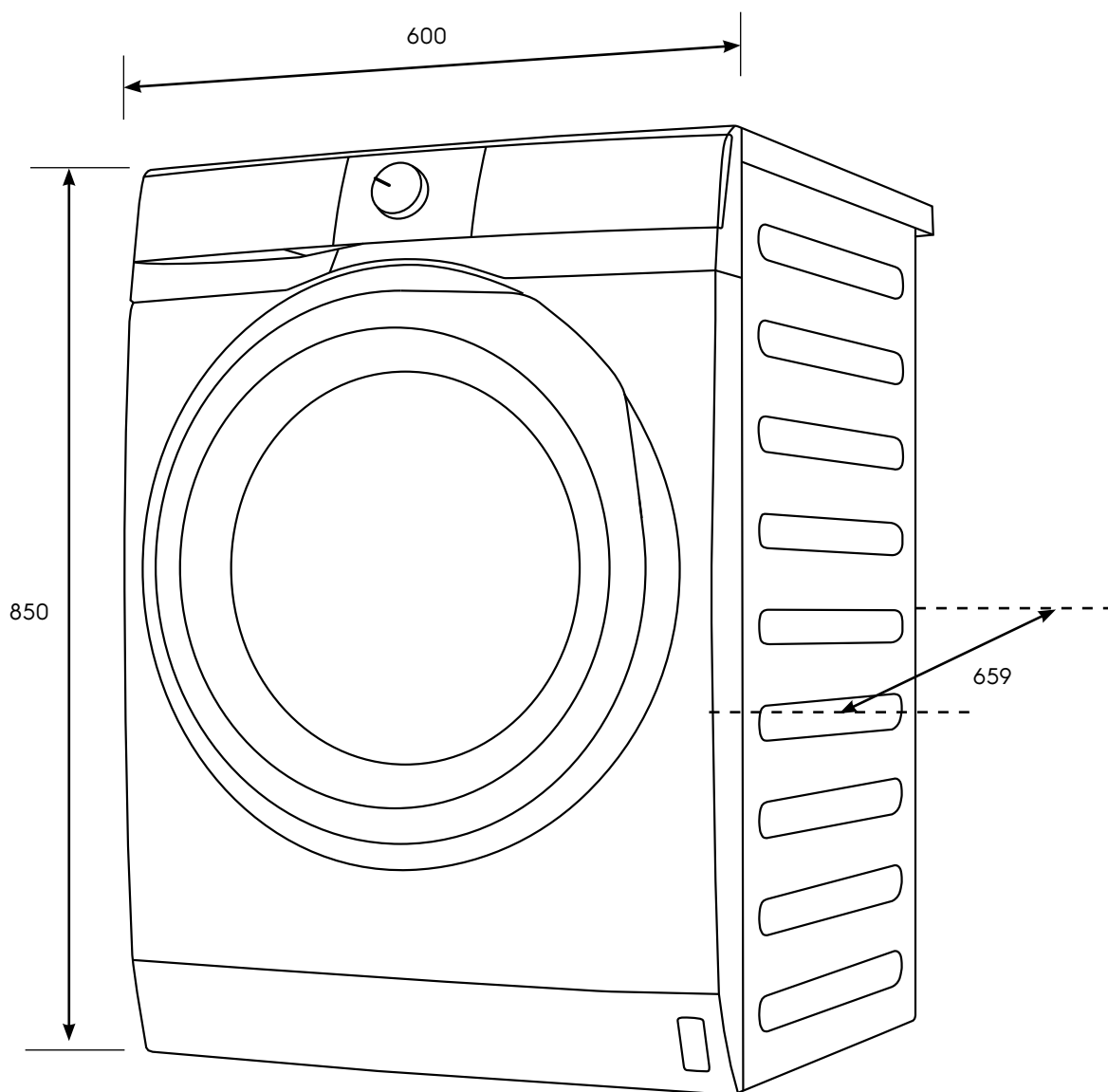
# Dimension Guide

## Front load washing machine

**Model:**  
EWF9024D3EC

### Dimensions

	width	height	depth
Product (mm)	600	850	659



**Please note!** Dimensions to be used as a guide only. All customers MUST refer to the user manual supplied with the product for detailed installation instructions.

© 2026 Electrolux S.E.A PTE. LTD. ELX\_DIM\_EWF9024D3EC\_Jan26