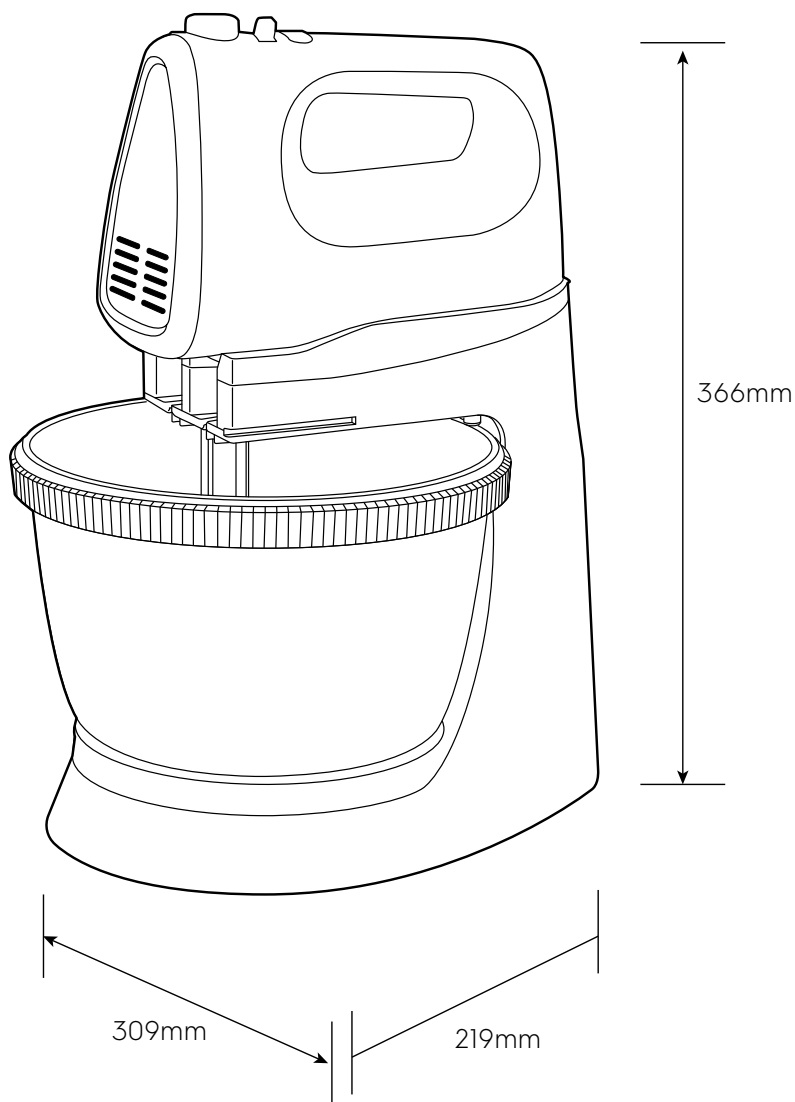


Dimension Guide

Stand Mixer

Model:
EHSM3417

Dimensions			
	width	height	depth
Product (mm)	309	366	219



Please note! Dimensions to be used as a guide only. All customers MUST refer to the user manual supplied with the product for detailed installation instructions.

© 2021 Electrolux S.E.A PTE. LTD. E_DIM_EHSM3417_Oct21