

# INSTALLATION

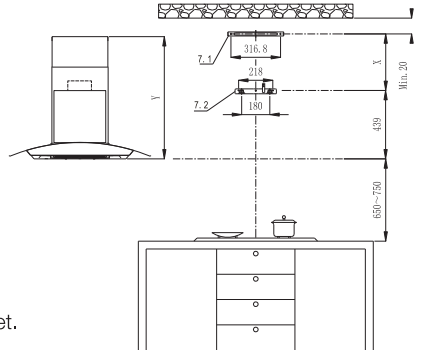
Note 1 :Carefully remove the plastic protective film from chimney and front panel prior to final installation.

Note 2: At least two people will be required to mount the hood.

## WALL DRILLING AND BRACKETS FIXING (X=Y-439)

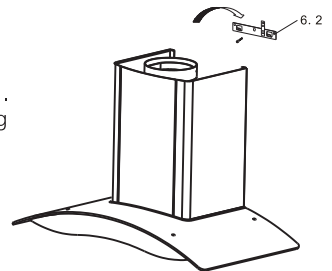
Draw a vertical line on the supporting wall up to the ceiling, or as high as practical, at the centre of the area in which the hood will be installed.

- Draw a horizontal line at 650mm above the electric hob or 750mm above the gas hob.
- Place one of chimney mounting brackets 7.1 on the wall as shown min. 20mm from the ceiling or upper limit aligning the centre (notch) with the vertical reference line.
- Mark the wall at the centre of the holes in the bracket.
- Place the hood mounting bracket 7.2 on the wall as shown aligning the central notches to the vertical reference line.
- Mark the wall at the centre of the holes in the bracket.
- Drill  $\varnothing 10\text{mm}$  holes at all the centre points marked.
- Fix the two brackets using the mounting screws and drywall anchors.



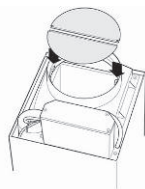
## MOUNTING THE HOOD BODY

Hook the body onto the hood mounting bracket 7.2 as shown . Balance the hood body by slightly adjusting the hood mounting bracket. Gently lower the hood until it securely engages the bracket.



## DAMPER (FLAPS) FIXING

- Fix the damper (flaps) into the air outlet adapter.
- To be sure that the damper (flaps) is locked well on the air outlet adapter, it should be flexible in opening and closing.

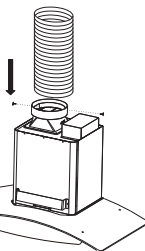


## DUCT FIXING

Caution: To reduce the risk of fire, use metal ductwork only.

Attach an adequate length of  $\phi 160$ mm round duct into the recessed area of the air outlet adapter.

The duct have to be secured using two screws from two sides of the air outlet adapter. Make sure the duct is fixed well on



## DESCRIPTION/CONNECTIONS

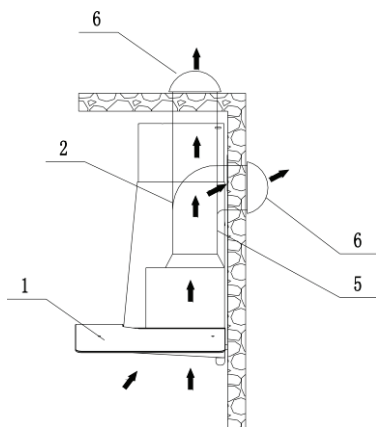
### Ducted mode air exhaust system

The hood draws the cooking fumes saturated with fumes and odour through the grease filters and expels it to the outside through an outlet pipe.



**Caution:** To reduce the risk of fire, use metal ductwork only.

- Decide where the ductwork will run between the hood and the outside.
- A straight, short duct run will allow the hood to perform most efficiently.
- Long duct runs, elbows, and transitions will reduce the performance of the hood. Use as few of them as possible. Larger ducting may be required for best performance with longer duct runs.
- Attach an adequate length of  $\phi 160$ mm round duct to the air outlet adapter.
- The air must not be discharge into a flue that is used for exhausting fumes from appliances burning gas or other fuels" "Regulations concerning the discharge of



- air have to be fulfilled.
- Install a roof/wall cap. Connect round metal ductwork to cap and work back towards hood location. Use duct tape to seal the joints between ductwork sections.

### **Electrical Connection**

- Electrical wiring must be done by a qualified person(s) in accordance with all applicable codes and standards. Turn off electrical power at service entrance before wiring.
- If the supply cord is damaged, it must be replaced by the manufacturer, its service agent or similarly qualified persons in order to avoid a hazard.
- Do not use the plug and an extension cord other than the ones initially supplied with the hood.
- The earthing of this hood is compulsory. Do not remove ground prong of the plug.

### **TELESCOPIC CHIMNEY COMPRISING ASSEMBLY**

Carefully slide the decorative chimney top 2.1 up inside the decorative chimney bottom 2.2. Secure decorative chimney top 2.1 to the chimney mounting bracket 7.1 that is well fixed on the wall with the two chimney bracket screws 8,b supplied from two sides.

