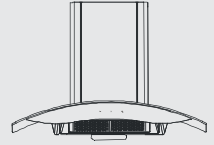




Thinking of you
Electrolux



EFC922GAK

.....
EN Cooker Hood

.....
instruction manual



CONTENTS

Safety _____	3
Hood Description _____	5
Installation _____	7
Operation _____	9
Maintenance _____	10
Technical Specification _____	12
Customer Care Center _____	13



Environmental tip

Information on disposal for users

- Most of the packing materials are recyclable. Please dispose of those materials through your local recycling depot or by placing them in appropriate collection containers.
- If you wish to discard this product, please contact your local authorities and ask for the correct method of disposal.

RoHS
Compliant.

If at any time in future you need to dispose of this product please do NOT dispose of this product with household waste. Please send this product to collecting points where available.

This product is RoHS compliant.

IMPORTANT SAFETY INSTRUCTION

INSTALLATION

- The manufacturer will not be held liable for any damages resulting from incorrect or improper installation.
- Please read this instruction manual before installing and using this cooker hood. Properly keep this instruction manual in a safe place for future reference.
- This cooker hood only be used in the Ducted Mode (ducting fumes to the outside).
- Only a qualified and trained service technician can undertake the work of installation and servicing.
- Check that the mains voltage corresponds to the one indicated on the rating plate fixed inside the hood.
- Check that the domestic power supply guarantees adequate earthing.
- Do not connect the hood to exhaust ducts carrying combustion fumes (boilers, fireplaces, etc.)
- If the hood is used in conjunction with non-electrical appliances (e. g. gas burning appliances), a sufficient degree of ventilation must be guaranteed in the room in order to prevent the backflow of exhaust gas. The kitchen must have an opening directly with the open air in order to guarantee the entry of clean air.
- The minimum distance is 750mm from the cooker hood to a gas hob, and is 650mm to an electric hob. If the installation instructions for gas/electric hobs specify a greater distance, this must be taken into account

NOTICE: Considering excessive weight, two or more people are required to install or move this appliance. Failure to do so can cause physical injuries.

USE

- The cooker hood has been designed only for domestic use to eliminate kitchen fumes.
- Never use the hood for purposes other than what it has been designed for.
- Never leave high naked flames under the hood when it is in operation.
- Adjust the flame intensity to direct it onto the bottom of the pan only; making sure that it does not engulf the pan sides.
Deep fat fryer must be continuously monitored during use: overheated oil can burst into flame.
- The hood should not be used by children or person not instructed in its correct use

MAINTENANCE

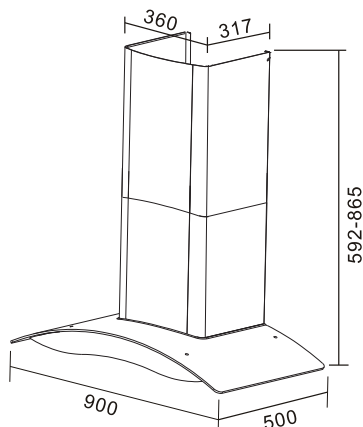
- Proper maintenance of the Range Hood will assure proper performance of the unit.
- Disconnect the hood from the main supply before carrying out any maintenance work.
- Clean and/or replace aluminum grease filters and activated charcoal filters after specified period of time.
- Clean the hood using a damp cloth and a neutral liquid detergent.
- DISPOSAL: Do not dispose this product as unsorted municipal waste. Collection of such waste separately for special treatment is necessary.

WARNING!!

In certain circumstances electrical appliances may be a danger hazard.

- Do not check the status of the filters while the cooker hood is operating.
- Do not touch the light bulbs after appliance use.
- Do not disconnect the appliance with wet hands.
- Avoid free flame, as it is damaging for the filters and a fire hazard.
- Constantly check food frying to avoid that the overheated oil may become a fire hazard.
- Disconnect the electrical plug prior to any maintenance.
- Children don't recognize the risks of electrical appliances. Therefore use or keep the appliance only under supervision of adults and out of the reach from children.
- Don't use this product outdoor.
- This appliance is not intended for use by persons (including children) with reduced physical, sensory or mental capabilities, or lack of experience and knowledge, unless they have been given supervision or instruction concerning use of the appliance by a person responsible for their safety. Children should be supervised to ensure that they do not play with the appliance.
- There shall be adequate ventilation of the room when the range hood is used at the same time as appliances burning gas or other fuels.
- There is a fire risk if cleaning is not carried out in accordance with instructions.
- Do not flambe under the range hood.
- The discharge air must not be discharged into a flue which is used for exhausting fumes from appliances burning gas or other fuels.

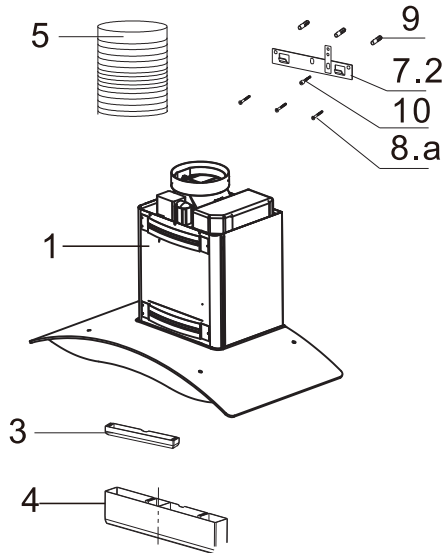
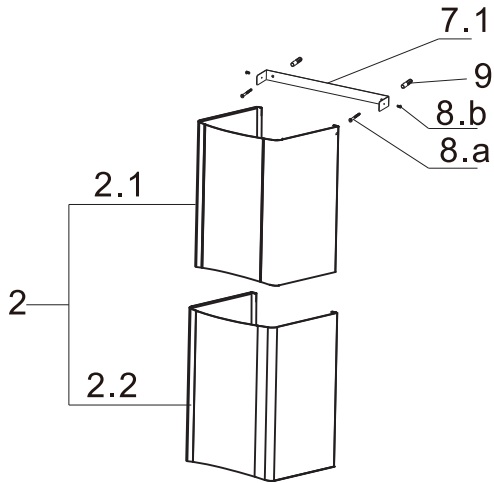
HOOD DESCRIPTION



Ref	Q'ty	Product Components
1	1pc	Hood body, complete with: controls, lights, blower, filters, air outlet adapter, Damper
2	1set	Telescopic Chimney comprising
2.1	1pc	Decorative Chimney Top
2.2	1pc	Decorative Chimney Bottom
3	1pc	Oil cup
4	1pc	Water cup
5	1pc	Aluminum Exhaust Duct

Ref	Q'ty	Product Components
7.1	1pc	Chimney Mounting Bracket
7.2	1pc	Hood Mounting Bracket
8.a	5pcs	Mounting Screws (ST 5 X)
8.b	2pcs	Chimney Mounting Bracket Screws (ST 4 X)
9	5pcs	Drywall Anchors

Ref	Q'ty	Product Components
11	1pc	Instruction Manual
12	1pc	Warranty Card



INSTALLATION

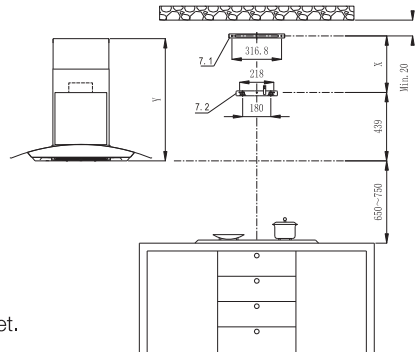
Note 1 :Carefully remove the plastic protective film from chimney and front panel prior to final installation.

Note 2: At least two people will be required to mount the hood.

WALL DRILLING AND BRACKETS FIXING (X=Y-439)

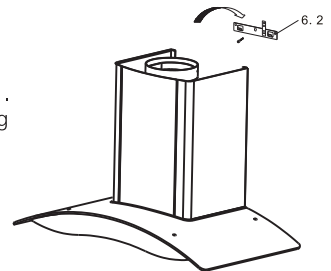
Draw a vertical line on the supporting wall up to the ceiling, or as high as practical, at the centre of the area in which the hood will be installed.

- Draw a horizontal line at 650mm above the electric hob or 750mm above the gas hob.
- Place one of chimney mounting brackets 7.1 on the wall as shown min. 20mm from the ceiling or upper limit aligning the centre (notch) with the vertical reference line.
- Mark the wall at the centre of the holes in the bracket.
- Place the hood mounting bracket 7.2 on the wall as shown aligning the central notches to the vertical reference line.
- Mark the wall at the centre of the holes in the bracket.
- Drill $\varnothing 10\text{mm}$ holes at all the centre points marked.
- Fix the two brackets using the mounting screws and drywall anchors.



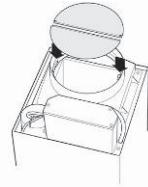
MOUNTING THE HOOD BODY

Hook the body onto the hood mounting bracket 7.2 as shown . Balance the hood body by slightly adjusting the hood mounting bracket. Gently lower the hood until it securely engages the bracket.



DAMPER (FLAPS) FIXING

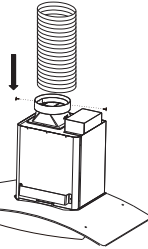
- Fix the damper (flaps) into the air outlet adapter.
- To be sure that the damper (flaps) is locked well on the air outlet adapter, it should be flexible in opening and closing.



DUCT FIXING

Caution: To reduce the risk of fire, use metal ductwork only. Attach an adequate length of $\phi 160$ mm round duct into the recessed area of the air outlet adapter.

The duct have to be secured using two screws from two sides of the air outlet adapter. Make sure the duct is fixed well on



DESCRIPTION/CONNECTIONS

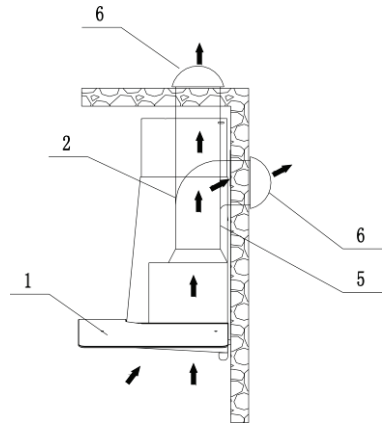
Ducted mode air exhaust system

The hood draws the cooking fumes saturated with fumes and odour through the grease filters and expels it to the outside through an outlet pipe.



Caution: To reduce the risk of fire, use metal ductwork only.

- Decide where the ductwork will run between the hood and the outside.
- A straight, short duct run will allow the hood to perform most efficiently.
- Long duct runs, elbows, and transitions will reduce the performance of the hood. Use as few of them as possible. Larger ducting may be required for best performance with longer duct runs.
- Attach an adequate length of $\phi 160$ mm round duct to the air outlet adapter.
- The air must not be discharge into a flue that is used for exhausting fumes from appliances burning gas or other fuels" "Regulations concerning the discharge of



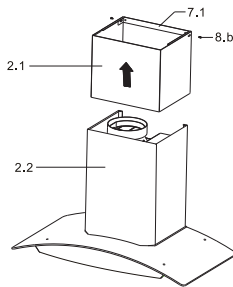
- air have to be fulfilled.
- Install a roof/wall cap. Connect round metal ductwork to cap and work back towards hood location. Use duct tape to seal the joints between ductwork sections.

Electrical Connection

- Electrical wiring must be done by a qualified person(s) in accordance with all applicable codes and standards. Turn off electrical power at service entrance before wiring.
- If the supply cord is damaged, it must be replaced by the manufacturer, its service agent or similarly qualified persons in order to avoid a hazard.
- Do not use the plug and an extension cord other than the ones initially supplied with the hood.
- The earthing of this hood is compulsory. Do not remove ground prong of the plug.

TELESCOPIC CHIMNEY COMPRISING ASSEMBLY

Carefully slide the decorative chimney top 2.1 up inside the decorative chimney bottom 2.2. Secure decorative chimney top 2.1 to the chimney mounting bracket 7.1 that is well fixed on the wall with the two chimney bracket screws 8.b supplied from two sides.



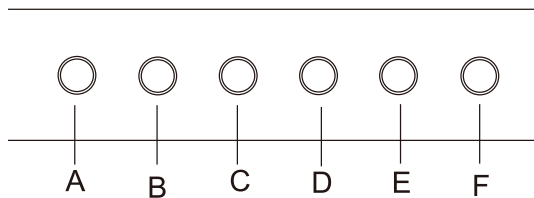
OPERATION

The hood is operated using the touch control switch on the front panel.

The light switch turns the lamps on and off.

The blower switch turns the blower on to three speed settings:

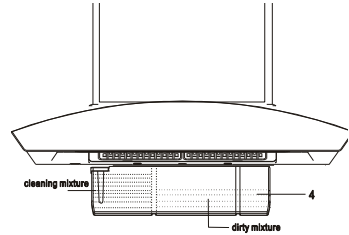
- A – AUTO-CLEAN
- B – LAMP
- C – HIGH SPEED
- D – MEDIUM SPEED
- E – LOW SPEED
- F – ON/OFF



WATER AUTO-CLEAN FUNCTION

This appliance features self-clean function, for better clean the parts of inside, we recommend use self-clean function at every two months of operation, or more frequently for heavy use.

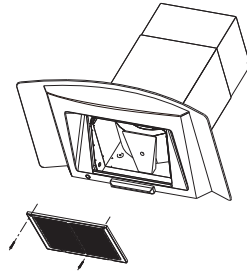
1. Full 80%-90% cleaning mixture (water + neutral detergent) into water cup and fix it to the hood.
2. Press button for 3 seconds to start the self-clean function



MAINTENANCE

Switch off or unplug the appliance from the mains supply before carrying out any maintenance work. **GREASE FILTER**

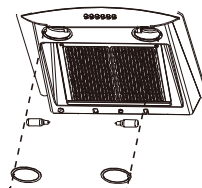
- The grease filters should be cleaned frequently (every two months of operation, or more frequently for heavy use). Use a warm detergent solution.
- Grease filters are washable.
Remove the grease filter by unscrewing 2pcs screws. This will disengage the filter from the hood. Tilt the filter downward and remove.
- Wash the filters, taking care not to bend them. Allow them to be dry before refitting.
- To install the grease filter, push filter into position and release. Rescrew two screws. Make sure the filter is securely engaged after assembly.



INCANDESCENT LAMP

This range hood requires two LED lamp (12VDC, 2W Max)

- Remove the body glass, connection plate by unscrewing relative screws as indicated. Push out the LED lamp from inside, disconnect the terminal and replace.



WARNING:

- Always switch off the electrical supply before carrying out any operation on the appliance.
- Only a qualified and trained service technician can undertake the work of blubs replacement and servicing.

CAUTION:

THE SURFACE, THE COVER OF THE LAMP MAY BE HOT. TAKE CARE WHEN TAKING THE REPLACEMENT.

BULBS MAY BE HOT. TAKE CARE WHEN TAKING THE REPLACEMENT.

We recommend only using lamps of the same specification as the ones being replaced.

HOOD CLEANING

Glass and aluminium are two of the easiest materials to keep clean. Occasional care will help preserve its fine appearance.

Cleaning tips:

- Hot water with soap or detergent is all that is usually needed.
- Follow all cleaning by rinsing with clear water. Wipe dry with a clean, soft cloth to avoid water marks.
- For discolorations or deposits that persist, use a non-scratching household cleanser or stainless steel polishing powder with a little water and a soft cloth.
- For stubborn cases use a plastic scouring pad or soft bristle brush together with cleanser and water. Rub lightly in direction of polishing lines or “grain” of the aluminum finish. Avoid using too much pressure that may mar the surface.
- Do not allow deposits to remain for long periods of time.
- Do not use ordinary steel wool or steel brushes. Small bits of steel may adhere to the surface causing rust.
- Do not allow salt solutions, disinfectants, bleaches, or cleaning compounds to remain in contact with aluminum finish for extended periods. Many of these compounds contain chemicals that may be harmful. Rinse with water after exposure and wipe dry with a clean cloth.
- Painted surfaces should be cleaned with warm water and mild detergent only.

All parts & components must not be removed or replaced unless by qualified service personnel.

TECHNICAL SPECIFICATION

Model	EFC922GAK
Rated Voltage	220-240 V~
Rated Power Frequency	50 Hz
Light Power	2x2W
Motor Power	200 W
Auto-clean power	12 W
Total Power	252 W
Motor	1
Diameter of Exhaust Pipe	160 mm.
Dimension (mm)	L 900 x W 500 x H 592-865

CUSTOMER CARE CENTER

<p>Thailand Tel: (+66 2) 725 9000 Electrolux Thailand Co., Ltd. 14th Floor, 1910 New Petchburi Road Bangkapi, Huay Kwang Bangkok 10320</p>	<p>Vietnam Toll Free: 1800-58-88-99 Tel: (+84 8) 3910 5465 Electrolux Vietnam Ltd . AB Tower, 9th Floor 76 Le Lai Street, District 1 Ho Chi Minh City</p>
<p>Indonesia Tel: (+62 21) 522 7180 PT. Electrolux Indonesia Plaza Kuningan Menara Utara Suite 201 Jl. HR. Rasuna Said Kav. C11-14 Jakarta 12940</p>	<p>Philippines Toll Free: 1800-10-845-227 Tel: (+63 2) 845 2273 Electrolux Philippines Inc. 25th Floor, Equitable Bank Tower 8751 Paseo De Roxas, Makati Office Tel: (+63 2) 845 4510</p>
<p>Singapore Tel: (+65) 6507 8699 e-mail: customer-care.sin@electrolux.com.sg Electrolux S.E.A Pte. Ltd. 11 Lorong 3 Toa Payoh, Jackson Square Block B, #01-13/14/15 Singapore 319579</p>	<p>Malaysia Toll Free: 1300-88-11-22 Tel: (+60 3) 7843 5999 e-mail: customer.care@electrolux.com.my Electrolux Home Appliances Sdn. Bhd. 7th Floor, Tower 2, Jaya 33, No 3. Jalan Semangat, Seksyen 13, 46100 Petaling Jaya, Selangor</p>

www.electrolux.com

The Thoughtful Design Innovator.

Do you remember the last time you opened a gift that made you say, “Oh! How did you know? That’s exactly what I wanted!” That’s the kind of feeling that we at Electrolux seek to evoke in everyone who chooses or uses one of our products. We devote time, knowledge, and a great deal of thought to anticipating and creating the kind of appliances that our customers really need and want.

This kind of thoughtful care means innovating with insight. Not design for design’s sake, but design for the user’s sake. For us, thoughtful design means making appliances easier to use and tasks more enjoyable to perform, freeing our customers to experience the ultimate 21st century luxury: ease of mind. Our aim is to make this ease of mind more available to more people in more parts of their everyday lives, all over the world.

The “Thinking of you” promise from Electrolux goes beyond meeting the needs of today’s consumers. It also means we’re committed to making appliances safe for the environment—now and for future generations.

Electrolux. Thinking of you.

Share more of our thinking at
www.electrolux.com

