



#### Malaysia

**Electrolux Home Appliances Sdn Bhd**  
Co. No. 198801008304 (175660-T)

address: Unit T2-L7, Level 7, Tower 2, PJ 33,  
No. 3, Jalan Professor Khoo Kay Kim,  
Seksyen 13, 46200 Petaling Jaya,  
Selangor, Malaysia.

telephone: (+603) 7843 5999  
fax: (+603) 7955 5511  
website: [electrolux.com.my](http://electrolux.com.my)  
facebook: [facebook.com/ElectroluxMalaysia](https://facebook.com/ElectroluxMalaysia)  
instagram: [instagram.com/electroluxmy](https://instagram.com/electroluxmy)



#### CONSUMER CARE CENTRE

address: Lot C6, No. 28, Jalan 15/22,  
Taman Perindustrian Tiong Nam,  
Seksyen 15, 40200 Shah Alam,  
Selangor Darul Ehsan, Malaysia.

hotline: 1300 88 1122 / 1800 81 9239  
fax: (+603) 5524 2521  
e-mail: [malaysia.customercare@electrolux.com](mailto:malaysia.customercare@electrolux.com)

Dealer's Stamp

Version: 2022-03



## Cooking Range 2022

Create delicious  
tastes, effortlessly







## A kitchen that knows what matters

At Electrolux, our philosophy is simple: life in the kitchen should be seamless and intuitive.

That's why we've developed a new range with smart, sustainable features and clean lines for an effortless experience. So, you can concentrate on the things that make you happy: making and sharing great food with the people you love.

**Swedish thinking.  
Better living.**



# Cooking

## Effortless cleaning with SteamClean hood

SteamClean technology makes light work of a once tedious chore. Simply press one button and the hood injects steam to clean all the hard to reach places inside the chimney. By effortlessly removing stubborn grease and grime, the cooker hood maintains efficient air flow to provide you with a more pleasant cooking and dining experience.

## Lower your utility bills with UltimateTaste gas hobs

The blue flame burns efficiency to turn up the flavours faster, whilst also keeping your energy costs down.

## Dishwashing

Our range of quiet, fuss-free dishwashers offer superb results – sparkling dishes, ergonomic stacking and swift cycles, keeping your favourite dishware beautifully clean.

## Next -level baking with SteamBake ovens

With SteamBake, you can create bakery-style bread in your own home. The added steam allows dough to rise more effectively than conventional heating. The steam helps to create an exquisitely soft centre, while the combination of hot air delivers deliciously glossy crusts.





# Dishwasher

## No tea towels needed

Our intuitive AirDry technology automatically opens the door 10cm towards the end of the cycle which ensures natural drying without wasting energy. So the dishes are ready when you are.

## Room for creativity

Don't be afraid to give your culinary ambitions free rein. Our dishwashers are designed to take large, odd shaped items like pots and pans and the intuitive FlexiSpray arm ensures water reaches all parts of the tub, so they come out sparkling.

## The right wash. Every time

No matter how dirty your dishes, your dishwasher has the appropriate cycle to make them sparkle again. A Quick 30 is ideal for a load of just-used plates and pans.



## 60cm freestanding dishwasher with 13 place settings

### ESF5512LOX



## Technical info

**Product dimensions (mm)**  
600 (W) x 850 (H) x 625 (D)

## Features

- 13 Place settings
- 6 programmes with 4 temperature setting
- Stainless steel
- AutoFlex programme
- AirDry technology
- Delay start option from 1-24 hours
- Water consumption: 11 litres
- Power consumption: 1.04kWh/cycle
- Flood & Leak Protection
- Noise level: 47dB(A)
- Total rated power: 1950W
- Voltage: 220-240V
- Frequency: 50Hz
- Energy Efficiency: A+

## 60cm freestanding dishwasher with 13 place settings

### ESF5206LOW



## Technical info

**Product dimensions (mm)**  
600 (W) x 850 (H) x 625 (D)

## Features

- 13 place settings
- 5 programmes with 4 temperature settings
- White
- AirDry technology
- Control panel with delay 3 hours start option
- Water consumption: 11 litres
- Power consumption: 1.039kWh/cycle
- Flood & Leak Protection
- Noise level: 49dB(A)
- Total rated power: 1950W
- Voltage: 220-240V
- Frequency: 50Hz
- Energy Efficiency: A+



55cm window compact dishwasher with 8 place settings

ESF6010BW



#### Technical info

Product dimensions (mm)  
550 (W) x 604 (H) x 523 (D)

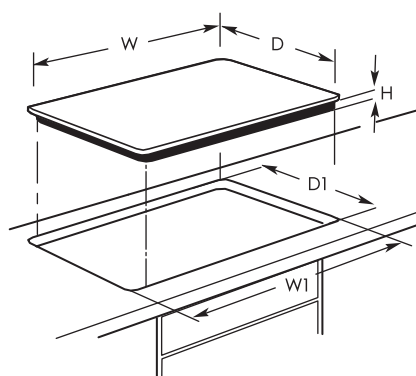
#### Features

- 8 place settings
- White
- 6 wash programmes
- Water consumption: 8 litres
- Power consumption: 0.82kWh/cycle
- Cutlery shelf
- Residual heat drying
- Total rated power: 1480W
- Voltage: 220-240V
- Frequency: 50Hz





## Installation Dimensions



### built-in gas hobs

(in mm)	w	w1	h	d	d1
EHG8238BC	800	700-745	130	508	400-445
EHG9351BC	900	700-865	130	520	405-480
EHG9251BC	900	700-865	130	520	405-480
EHG8251BC	800	600-765	130	508	350-465
EHG9350BC	900	700-865	130	520	405-480
EHG8250BC	800	600-765	130	508	350-465
EHG8241GE	800	600-765	130	508	350-465
EHG9331BC	900	700-865	130	520	405-480
EHG9231BC	900	700-865	130	520	405-480
EHG8321BC	800	600-765	130	508	350-465
EHG933SA	860	705	105	510	405
EHG7230BE	780	732	70	460	421

### built-in electric hobs

(in mm)	w	w1	d	d1
EHI6450BA	610	560	515	490
EHI7260BB	700	680	420	400
EHEC65BS	610	560	515	490
EHC7240BA	700	680	420	400

### built-in domino electric hobs

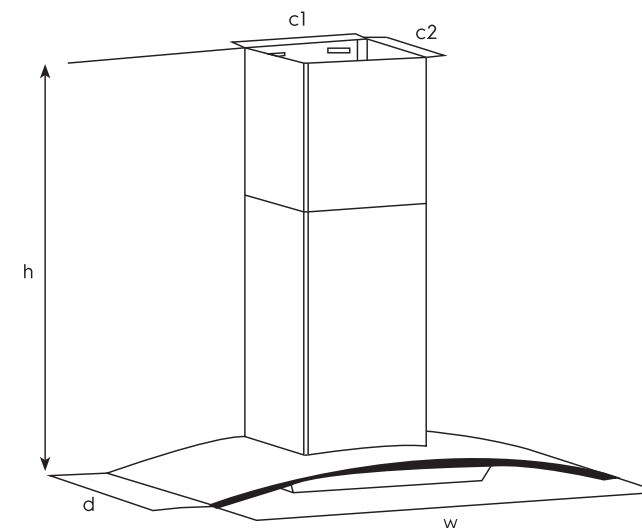
(in mm)	w	w1	d	d1
EHI325CA	300	270	520	490
EHC325BA	300	270	520	490

### designer hood

(in mm)	w	h	d
EFS928SA	900	938-1,355	395

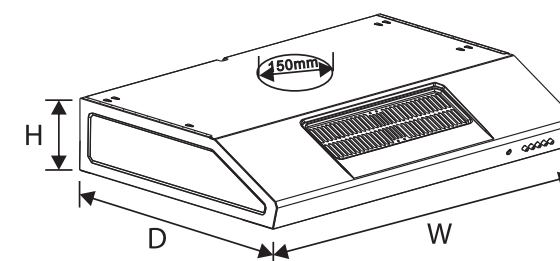
### island & boxline hoods

(in mm)	w	h	h1	d	c1	c2
EFL925MAR	900	531-1,066	56	623	310	380
EFC928SC	895	586-936	80	506	391	308
EFC929SA	900	590-961	98	505	395	325
EFC926BAR	895	518-1,158	38	500	400	320
EFC935SAR	900	565-1,080	70	504	275	275
EFC926SA	900	612-1,092	38	500	400	320



### glass hoods

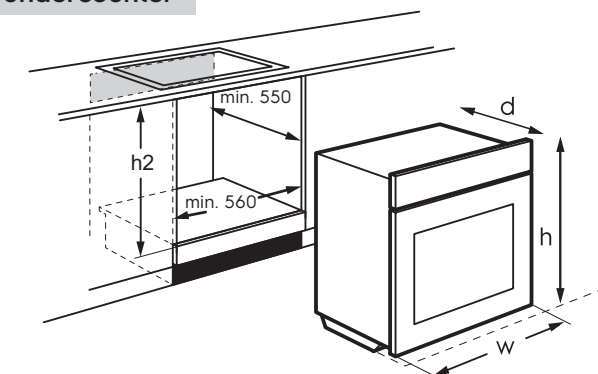
(in mm)	w	h	d	c1	c2
EFC922GAK	900	592-865	500	360	317
EFC925GAC	900	590-860	500	358	286
EFC936GAR	900	560-1055	500	275	275



### slimline hoods

(in mm)	w	h	d
EFT9516X / EFT9516K	898	135	500
EFT6510X	598	160	500

### undercounter



### built-in ovens

(in mm)	w	h	d	h1	h2(undercounter)
KOHLH00XA	595	594	569	590	600
KOIGH00KA	595	594	569	590	600
KOHGH00XA	595	594	569	590	600
KODGH70TXA	595	594	569	590	600
KODDP71XA	595	594	569	590	600
KOCPB21XA	595	594	569	590	600
KOAAS31X	595	594	567	578	600
KVAAS21WX	595	455	567	444	460

### built-in microwave ovens

(in mm)	w	w1	h	h1	d	d1
KVLBE00X	595	560	455	444	567	550
EMS2540X	595	560	388	380	374	500
EMS2085X	596	560	389	380	355	340

